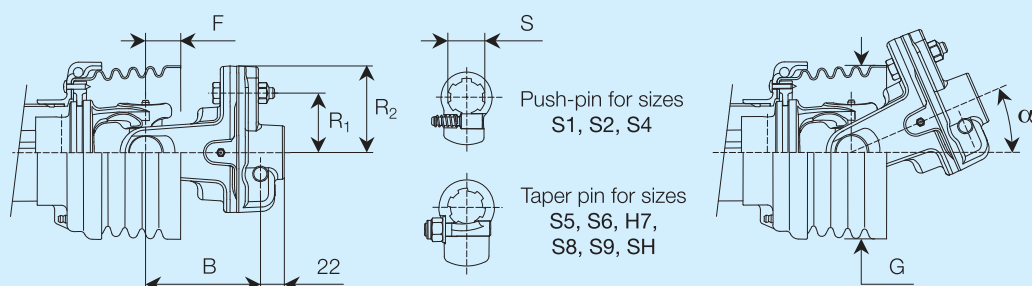
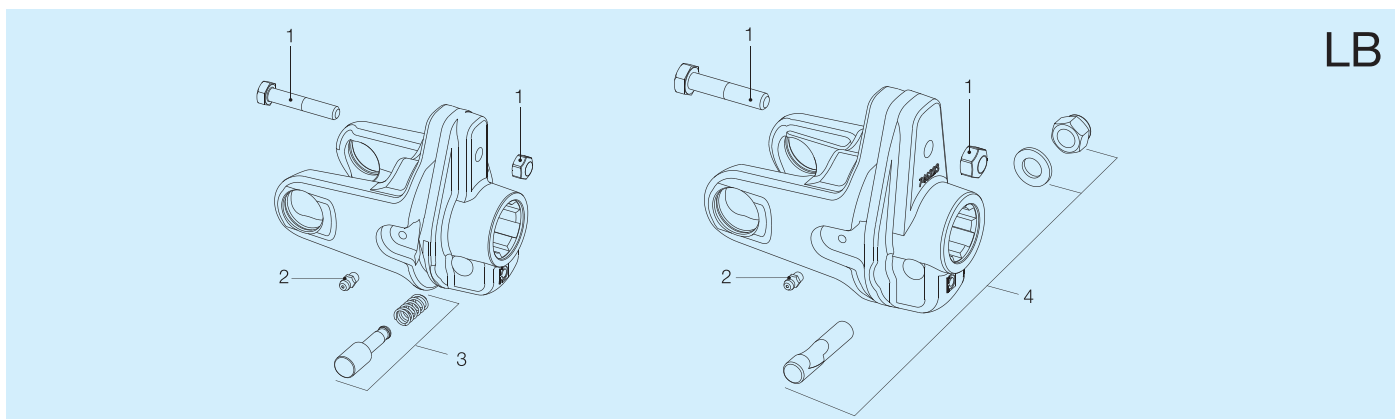


LB



Size	Torque Nm	B mm	R ₁ mm	R ₂ mm	F mm	G mm	α °	Spare parts code				
								1 3/8" Z6	1 3/8" Z21	1 3/4" Z6	1 3/4" Z20	
S1	650	80	37	68	23	129	24°	6060B0304R	6060B3703R	---	---	432000002R05
	700		40					6060B0302R	6060B3702R	---	---	432000002R05
	780		45					6060B0301R	6060B3701R	---	---	432000002R05
S2	950 *	87	55	68	42	146	15°	6060C0302R	6060C3702R	---	---	432000002R05
	1050		60					6060C0308R	6060C3704R	---	---	432000002R05
	1250		40					6060C0301R	6060C3701R	---	---	432000047R05
S4	1400	93	45	68	37	146	20°	6060E0303R	6060E3704R	---	---	432000047R05
	1700 *		55					6060E0302R	6060E3702R	---	---	432000047R05
	2000		43					6060E0309R	6060E3711R	---	---	432000053R05
S5	2100	106	67	80	33	146	24°	6060G0319R	6060G3710R	6060G0408R	6060G3803R	432000047R05
	2400		50					6060G0304R	6060G3704R	6060G0404R	6060G3804R	432000053R05
S6	2400 *	106	50	80	32	160	24°	6060G0304R	6060G3704R	6060G0404R	6060G3804R	432000053R05
	2500		52					6060G0320R	6060G3711R	6060G0409R	6060G3809R	432000053R05
	2700		55					6060G0301R	6060G3701R	6060G0401R	6060G3801R	432000053R05
H7	2700	112	55	80	29	160	29°	6060H0302R	6060H3702R	6060H0402R	6060H3802R	432000053R05
	3100		65					6060H0301R	6060H3701R	6060H0401R	6060H3801R	432000053R05
S8	2700	115	55	80	42	160	19°	6060L0303R	6060L3703R	6060L0404R	6060L3807R	432000053R05
	3200		66					6060L0305R	6060L3704R	6060L0407R	6060L3808R	432000053R05
	3600		52					6060L0306R	6060L3705R	6060L0408R	6060L3809R	432000124R05
H8	2700	115	55	80	42	160	19°	6060L0303R	6060L3703R	6060L0404R	6060L3807R	432000053R05
	3200		66					6060L0305R	6060L3704R	6060L0407R	6060L3808R	432000053R05
	3600		52					6060L0306R	6060L3705R	6060L0408R	6060L3809R	432000124R05
	4200		60					6060L0308R	6060L3706R	6060L0410R	6060L3810R	432000124R05
S9	3000	121	62	80	49	180	19°	6060M0306R	6060M3705R	6060M0405R	6060M3811R	432000053R05
	3500		50					6060M0307R	6060M3703R	6060M0407R	6060M3809R	432000030R05
	4200		60					6060M0301R	6060M3701R	6060M0401R	6060M3801R	432000030R05
SH	4000	120	57	80	50	201	17°	6060N0302R	6060N3701R	6060N0402R	6060N3802R	432000030R05
	4500		65					6060N0301R	6060N3702R	6060N0403R	6060N3803R	432000030R05
	5200		55					6060N0303R	6060N3703R	6060N0401R	6060N3801R	432000055R05
S0	---	---	---	---	---	---	---	---	---	---	---	

* For S2, S4, and S6 drivelines, that may be equipped with either the Four-Tooth or Free Rotation profile tubes, settings marked with asterisk (*) are the maximum recommended settings for Free Rotation profile tubes. The torque setting must never exceed the maximum torque of the driveline Mmax.



Ref.	Size	Spare parts code	Description	Technical data
1		432000002R05	Bolt	M6x40 Cl. 8.8
		432000047R05		M8x45 Cl. 8.8
		432000053R05		M10x50 Cl. 8.8
		432000124R05		M12x55 Cl. 8.8
		432000030R05		M12x70 Cl. 8.8
		432000055R05		M14x70 Cl. 8.8
2		348017000R20	Grease fitting	
3		403000001R10	Push-pin kit	1 3/8" Z6 - Z21
4		408000048R02	Taper pin	1 3/8" Z6 - Z21
		408000052R02		1 3/4" Z6 - Z20



For primary drivelines, always install any torque limiter or overrunning clutch on the implement side.
All rotating parts must be guarded.