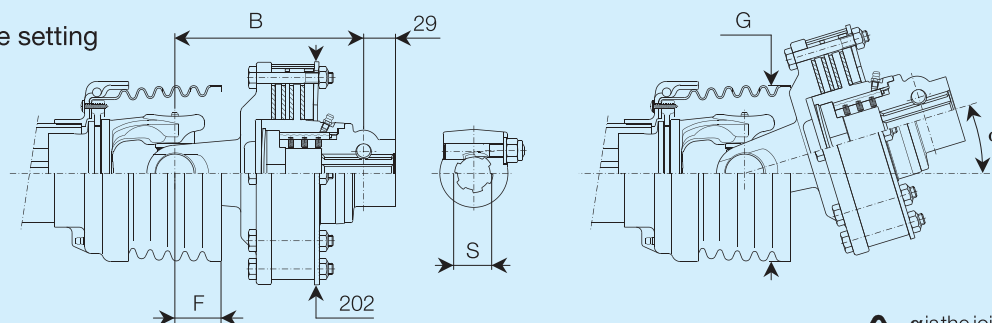


FNT44

Non-adjustable setting

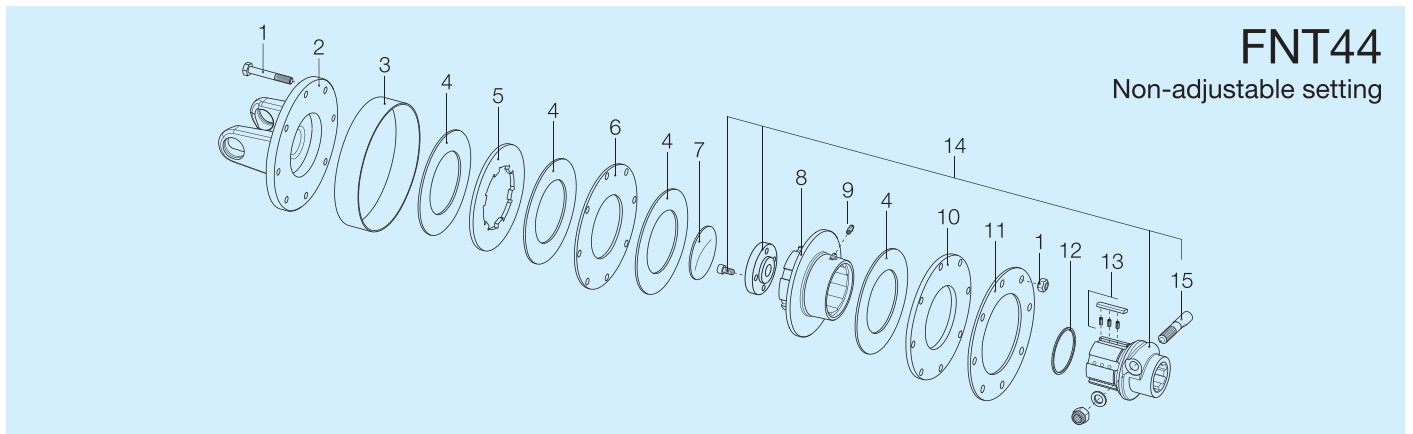


α is the joint angle at which the clutch will contact the shield.

Size	Torque Nm	B (mm)				F mm	G mm	α °	Spare parts code			
		S 1 3/8" Z6	S 1 3/8" Z21	S 1 3/4" Z6	S 1 3/4" Z20				1 3/8" Z6	1 3/8" Z21	1 3/4" Z6	1 3/4" Z20
S8	*1800	175	175	175	175	42	160	17°	658L58303R	658L58337R	658L58304R	658L58338R
	2200								658L62303R	658L62337R	658L62304R	658L62338R
H8	1800	175	175	175	175	42	160	17°	658L58303R	658L58337R	658L58304R	658L58338R
	*2200								658L62303R	658L62337R	658L62304R	658L62338R
	2400								658L64303R	658L64337R	658L64304R	658L64338R
	2600								658L66303R	658L66337R	658L66304R	658L66338R
S9	*1800	177	177	177	177	49	180	18°	658M58303R	658M58337R	658M58304R	658M58338R
	2200								658M62303R	658M62337R	658M62304R	658M62338R
	2400								658M64303R	658M64337R	658M64304R	658M64338R
	2600								658M66303R	658M66337R	658M66304R	658M66338R
SH	2200	178	178	178	178	50	201	12°	658N62303R	658N62337R	658N62304R	658N62338R
	*2400								658N64303R	658N64337R	658N64304R	658N64338R
	2600								658N66303R	658N66337R	658N66304R	658N66338R
S0	2200	191	191	191	191	46	201	21°	658S62303R	658S62337R	658S62304R	658S62338R
	2400								658S64303R	658S64337R	658S64304R	658S64338R
	*2600								658S66303R	658S66337R	658S66304R	658S66338R

* Maximum recommended settings for 1000 min⁻¹ velocity

For primary drivelines, always install any torque limiter or overrunning clutch on the implement side.
All rotating parts must be guarded.



FNT44

Non-adjustable setting

Ref.	Size	Spare parts code	Description	Technical data
1		432000100R08	Bolt	M 10 x 70 mm
2	S8 - H8	2530L1M01R	Flange yoke	
	S9	2530M1M01R		
	SH	2530N1M01R		
	S0	2530S1M01R		
3		240000219R02	Adjustment band	
4		247000061R08	Friction lining	D = 160 ; d = 97 mm
5		2481M0001R02	Driving plate	
6		2481M0002R02	Inner plate	Thickness = 4 mm
7		240000748R05	Locking plate	
8		4271M0101R	Overrunning clutch plug	
9		348017000R20	Grease fitting	
10		2481H0003R02	Pressure plate	Thickness = 8 mm
11		367FT440A	Belleville spring	1800 Nm
		367FT440C		2200 Nm
		367FT440D		2400 Nm
		367FT440E		2600 Nm
12		339002068R20	Snap ring	
13		4211L0001R06	Pawl + springs kit	
14		5151M0351R	Hub with taper pin	1 3/8" Z6
		5151M3751R		1 3/8" Z21
		5151M0451R		1 3/4" Z6
		5151M3851R		1 3/4" Z20
15		408000047R02	Taper pin	1 3/8" Z6 - Z21
		408000046R02		1 3/4" Z6 - Z20



For primary drivelines, always install any torque limiter or overrunning clutch on the implement side.
All rotating parts must be guarded.