


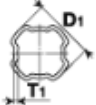
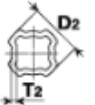
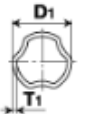



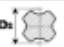


## BYPY (Bondioli & Pavesi) – kraftoverføringsaksler type SFT-proff

- \* "Long Life" – kryss med 50 timers smørintervaller
- \* Smørenippel i lagerkopp for enkel tilgang til smørepunkter
- \* «4-kant»-profilrør for mindre effektbehov med flere anleggsflater
- \* Solid beskyttelse som tåler store temperaturforskjeller

SIZE	NOMINAL POWER		NOMINAL TORQUE		CATEGORIES		U-JOINTS	FOUR-TOOTH PROFILE TUBES		FREE ROTATION PROFILE	SPLINED TELESCOPING MEMBERS		
	Pn		Mn		A SAE								
	min <sup>-1</sup>	KW	CV	Nm	In-lb	RD	HD	mm	mm	mm	mm	mm	
S1	540	13	18	234	2073	1	1	A=22,0 H=54,0	D <sub>1</sub> =35,2 T <sub>1</sub> =2,00	D <sub>2</sub> =30, T <sub>2</sub> =3,00	---	---	
	1000	20	27	190	1679								
S2	540	21	28	384	3234	2	1	A=23,8 H=81,3	D <sub>1</sub> =45,6 T <sub>1</sub> =2,75	D <sub>2</sub> =39,6 T <sub>2</sub> =3,00	D <sub>1</sub> =40,4 T <sub>1</sub> =3,10	D <sub>2</sub> =29,00 T <sub>2</sub> =4,00	---
	1000	31	42	295	2612								
S4	540	28	38	494	4378	4	3	A=27,0 H=74,6	D <sub>1</sub> =50,2 T <sub>1</sub> =2,75	D <sub>2</sub> =44,2 T <sub>2</sub> =3,50	D <sub>1</sub> =48,0 T <sub>1</sub> =3,35	D <sub>2</sub> =36,00 T <sub>2</sub> =4,00	---
	1000	42	57	400	3545								
S5	540	37	50	651	5758	4	3	A=30,2 H=79,4	D <sub>1</sub> =50,2 T <sub>1</sub> =2,75	D <sub>2</sub> =44,2 T <sub>2</sub> =4,20	---	---	---
	1000	55	75	527	4664								
S6	540	40	55	716	6334	5	4	A=30,2 H=79,4	D <sub>1</sub> =53,9 T <sub>1</sub> =3,25	D <sub>2</sub> =46,9 T <sub>2</sub> =4,50	D <sub>1</sub> =58,5 T <sub>1</sub> =3,60	D <sub>2</sub> =45,00 T <sub>2</sub> =4,20	D=40 z=14
	1000	61	83	583	5161								
H7	540	51	70	911	8061	6	4	A=30,2 H=91,5	D <sub>1</sub> =58,2 T <sub>1</sub> =3,25	D <sub>2</sub> =51,2 T <sub>2</sub> =5,00	---	---	D=40 z=14
	1000	78	106	745	6592								
S8	540	66	90	1171	10364	6	5	A=34,9 H=93,5	D <sub>1</sub> =58,2 T <sub>1</sub> =3,25	D <sub>2</sub> =51,2 T <sub>2</sub> =5,00	---	---	D=40 z=14
	1000	100	136	956	8457								
H8	540	66	90	1171	10364	6	5	A=34,9 H=93,5	D <sub>1</sub> =66,0 T <sub>1</sub> =3,50	D <sub>2</sub> =58,5 T <sub>2</sub> =4,50	---	---	---
	1000	100	136	956	8457								
S9	540	81	110	1431	12688	7	5	A=34,9 H=106,0	D <sub>1</sub> =66,0 T <sub>1</sub> =3,50	D <sub>2</sub> =58,5 T <sub>2</sub> =4,50	---	---	D=45 z=16
	1000	122	166	1186	10323								
SH	540	97	132	1717	15201	8	7	A=42,0 H=107,5	D <sub>1</sub> =70,2 T <sub>1</sub> =4,00	D <sub>2</sub> =61,7 T <sub>2</sub> =5,75	---	---	D=45 z=16
	1000	147	200	1405	12437								
S0	540	124	169	2199	19462	8	7	A=42,0 H=130,0	D <sub>1</sub> =70,2 T <sub>1</sub> =4,00	D <sub>2</sub> =61,7 T <sub>2</sub> =5,75	---	---	D=45 z=16
	1000	187	254	1785	15795								
SK	540	181	246	3200	28323	8	8	A=50,0 H=140,0			---	---	---
	1000	272	370	2600	23013				D <sub>1</sub> =74,1 T <sub>1</sub> =6,00	D <sub>2</sub> =61,8			