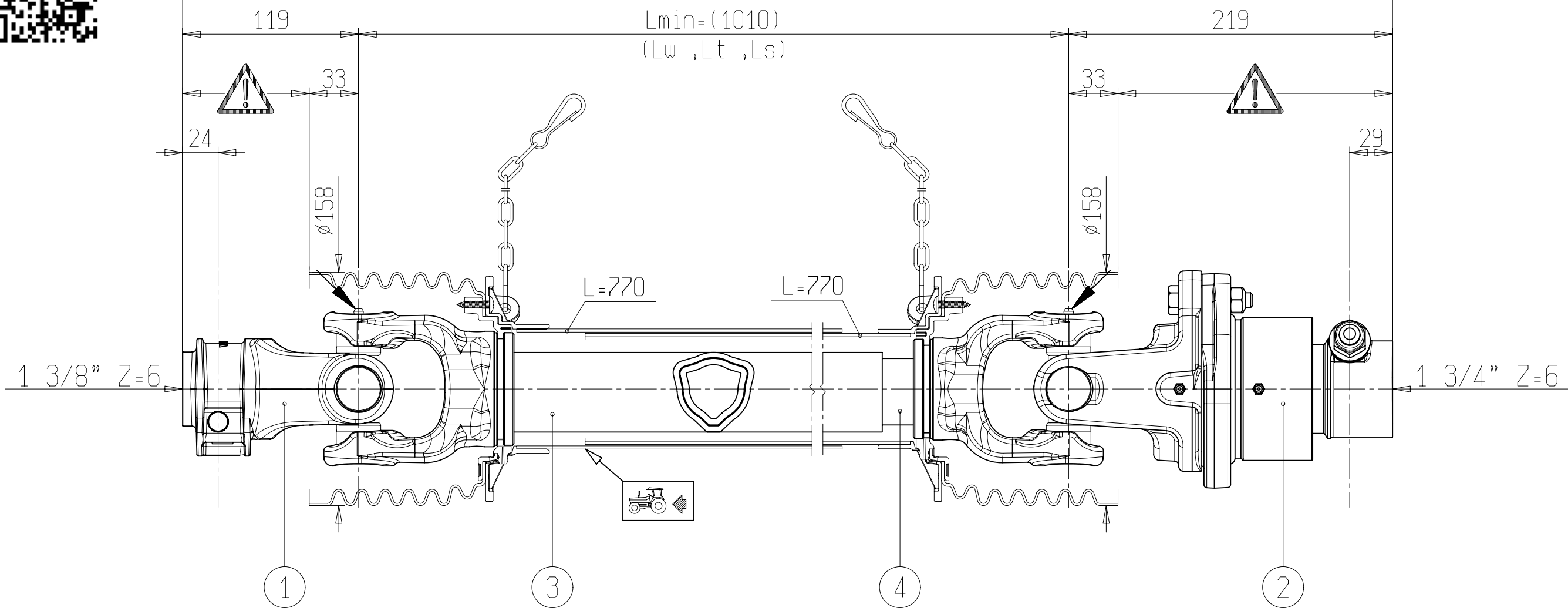




Lmin=(1348)

Lmin=(1010)
(Lw ,Lt ,Ls)



WARNING!

SECTIONS OF THE ASSEMBLY MARKED ARE NOT SHIELDED AND MUST BE SHIELDED BY AN INTERACTIVE GUARDING SYSTEM. BONDIOLI & PAVESI DECLINES RESPONSIBILITY IF PROPER GUARDS ARE NOT PROVIDED OR MAINTAINED.

1	CODICE CODE 007	LATO TRATTORE TRACTOR SIDE	LATO MACCHINA IMPLEMENT SIDE	TIPO-TYPE G7	CLIENTE / CUSTOMER 5200100 Egil Eng & Co.A/S	RIF.CLIENTE / CUSTOMER REF.
* 2	CODICE CODE 6060H0413R LB/RA2 2700 Nm			DATA / DATE 18/9/2017	DISEGNATO / DESIGNED BY L.Savoia	
3		30,2 91,5	30,2 91,5	LUNGHEZZA MAX IN LAVORO MAX WORKING LENGTH Lw=1410	STUDIO / DESIGN ORIGINE / ORIGIN	
4		VELOCITA' MAX MAX SPEED 540 min ⁻¹	M max 2900 Nm	LUNGHEZZA MAX TEMPORANEA MAX TEMPORARY LENGTH Lt=1543	NOTE / NOTES SPECIALE PER: POS.2.	CODICE / CODE 8G7N101CE007011
				LUNGHEZZA MAX NON IN ROTAZIONE MAX LENGTH AT STANDSTILL Ls=1610		REV. 0