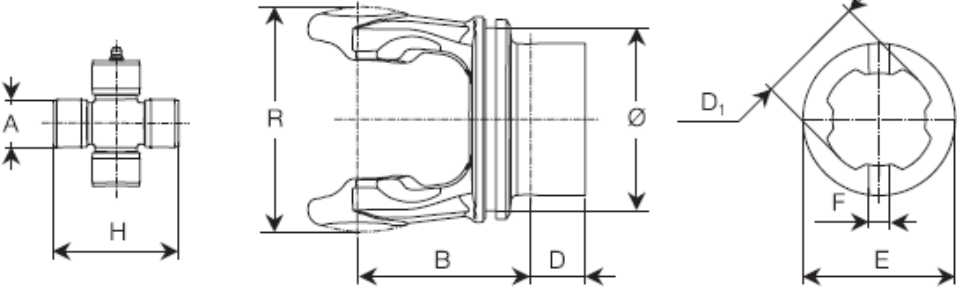



## Gafler for ytre profilør BYPY SFT-proff aksel



	A	H	D <sub>1</sub>	F	E	Ø	D	B	R	Spare part code	
	mm	mm	mm	mm	mm	mm	mm	mm	mm		
S1	22.0	54.0	35.2	8	47	59	17	58	67	204S16853	341036000R10
S2	23.8	61.3	45.6	8	57	73	17	65	76	204S26854	341048000R10
S4	27.0	74.6	50.2	8	62	73	22	73	89	204S46854	341038000R10
S5	30.2	79.4	50.2	10	64	73	22	77	98	204S56858	341043000R10
S6	30.2	79.4	53.9	10	74	89	24	77	98	204S66853	341053000R10
H7	30.2	91.5	58.2	10	74	89	28	82	108	2040H6862	341053000R10
S8	34.9	93.5	58.2	10	76	89	29	86	113	204S86853	341042000R10
H8	34.9	93.5	66.0	10	88	89	29	86	113	2040L6869	341046000R10
S9	34.9	106.0	66.0	10	88	99	31	91	124	204S96855	341046000R10
SH	42.0	107.5	70.2	10	92	103	33	97	130	2040N6853	341093000R10
S0	42.0	130.0	70.2	10	95	103	33	108	151	2040S6855	341103000R10
SK	50.0	140.0	--	--	--	--	--	--	--	--	--



**EGIL ENG & CO. AS**

**Mekanikk - Hydraulikk - Filter - Elektronikk**

**Tlf: 22 90 05 60 - [www.egileng.no](http://www.egileng.no)**