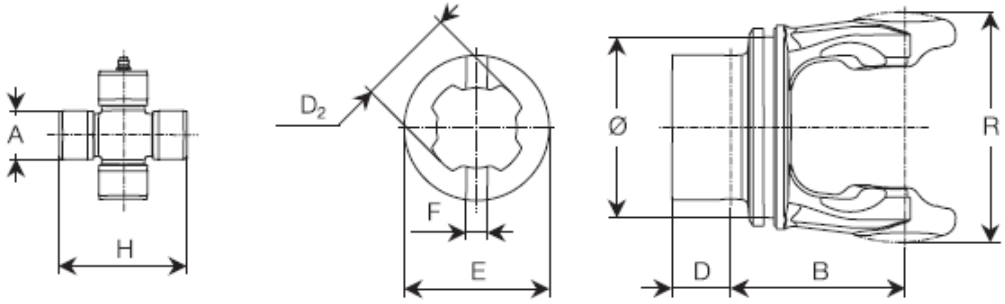



## Gafler for indre profilør BYPY SFT-proff aksel



	A	H	D <sub>2</sub>	F	E	Ø	D	B	R	Spare part code	
	mm	mm	mm	mm	mm	mm	mm	mm	mm		
S1	22.0	54.0	30.8	8	43	56	17	58	67	204S16854	341037000R10
S2	23.8	61.3	39.6	8	51	70	17	65	76	204S26853	341047000R10
S4	27.0	74.6	44.2	8	58	70	22	73	89	204S46853	341048000R10
S5	30.2	79.4	44.2	10	58	70	22	77	98	204S56859	341096000R10
S6	30.2	79.4	46.9	10	66	86	24	77	98	204S66854	341043000R10
H7	30.2	91.5	51.2	10	69	86	28	82	108	2040H6863	341043000R10
S8	34.9	93.5	51.2	10	72	86	29	86	113	204S86854	341053000R10
H8	34.9	93.5	58.5	10	76	86	29	86	113	2040L6865	341042000R10
S9	34.9	106.0	58.5	10	81	96	31	91	124	204S96856	341081000R10
SH	42.0	107.5	61.7	10	85	100	33	97	130	2040N6854	341046000R10
S0	42.0	130.0	61.7	10	86	100	33	108	151	2040S6856	341046000R10
SK	50.0	140.0	--	--	--	--	--	--	--	--	--



**EGILENG & CO. AS**

**Mekanikk - Hydraulikk - Filter - Elektronikk**

**Tlf: 22 90 05 60 - [www.egileng.no](http://www.egileng.no)**