

Complete shield kits for spare parts

Complete shield kits for spare parts are sized to fit the drivelines on which they will be used.

The code for the shield kit length is the same code used for the driveline length.

Shield tubes can be cut to fit a specific driveline length, but the shield tubes should maintain sufficient overlap for all operating and transport conditions.

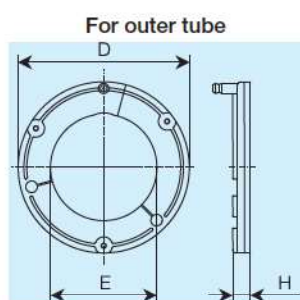
Safety labels and operator's manuals are included according to the standards and regulations of the country of destination. Shield kits are supplied with chains or with the Single Chain System, except for North America, where shield restraints are optional.

The standard connection of restraint chains to the shield is by means of an "S" hook for sizes S1 to S5. For larger sizes, the connection is made by the Spring Link device. Chains with Spring Link are available for smaller sizes as an option, by adding the letter "Z" to the end of the complete shield kit code.

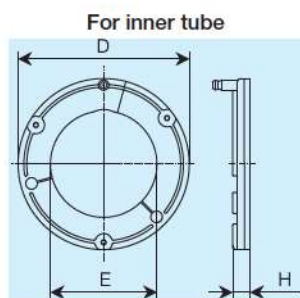
SFT drivelines and shields are tested to meet EN1152, EN ISO 5674, EN 12965 standards, and are CE certified. Complete shield kits are sold as spare parts and therefore, according to the Machinery Directive, do not require a CE mark. However, the mark can be applied on request.

Standards EN 12965 and ANSI/ASABE S604 require a 50 mm overlap of the driveline shield with the implement input connection shield.

Bearing ring for standard safety shields



	D	E	H	Spare parts Code
	mm	mm	mm	
S1	100	59	12	2550A0001R02
S2	118	73	12	2550C0001R02
S4	118	73	12	2550C0001R02
S5	118	73	12	2550C0001R02
S6	132	89	12	2550G0001R02
H7	132	89	12	2550G0001R02
S8	132	89	12	2550G0001R02
H8	132	89	12	2550G0001R02
S9	144	99	12	2550L0001R02
SH	146	103	24	2550M0001R02
S0	146	103	24	2550M0001R02

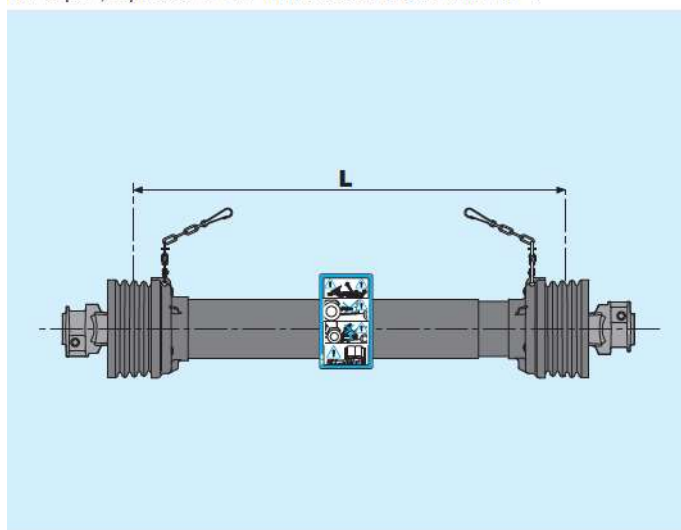


	D	E	H	Spare parts Code
	mm	mm	mm	
S1	100	56	12	2550A0002R02
S2	118	70	12	2550C0002R02
S4	118	70	12	2550C0002R02
S5	118	70	12	2550C0002R02
S6	132	86	12	2550G0002R02
H7	132	86	12	2550G0002R02
S8	132	86	12	2550G0002R02
H8	132	86	12	2550G0002R02
S9	144	96	12	2550L0002R02
SH	146	100	24	2550M0002R02
S0	146	100	24	2550M0002R02

Single cardan joint Standard safety shields

Code	121
Length L (mm)	1210
S1	5CS1121FXSS
S2	5CS2121FXSS
S4	5CS4121FXSS
S5	5CS5121FXSS
S6	5CS6121FXSS
H7	5CH7121FXSS
S8	5CS8121FXSS
H8	5CH8121FXSS
S9	5CS9121FXSS
SH	5CSH121FXSS
S0	5CS0121FXSS

For North America, replace the "FX" in the codes above with "U2".
For Japan, replace the "FX" in the codes above with "JP".



80° Constant velocity joint Standard safety shields

Code	086	121
Length L (mm)	860	1210
S1	---	---
S2	5CS2086FXWS	5CS2121FXWS
S4	5CS4086FXWS	5CS4121FXWS
S5	---	---
S6	5CS6086FXWS	5CS6121FXWS
H7	5CH7086FXWS	5CH7121FXWS
S8	5CS8086FXWS	5CS8121FXWS
H8	5CH8086FXWS	5CH8121FXWS
S9	5CS9086FXWS	5CS9121FXWS
SH	5CSH086FXWS	5CSH121FXWS
S0	---	---

For North America, replace the "FX" in the codes above with "U2". For Japan, replace the "FX" in the codes above with "JP".

