

## Complete shield kits for spare parts

Complete shield kits for spare parts are sized to fit the drivelines on which they will be used.

The code for the shield kit length is the same code used for the driveline length.

Shield tubes can be cut to fit a specific driveline length, but the shield tubes should maintain sufficient overlap for all operating and transport conditions.

Safety labels and operator's manuals are included according to the standards and regulations of the country of destination. Shield kits are supplied with chains or with the Single Chain System, except for North America, where shield restraints are optional.

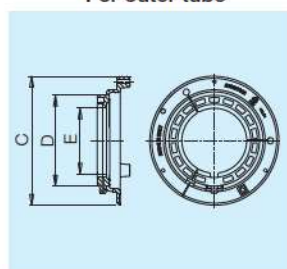
The standard connection of restraint chains to the shield is by means of an "S" hook for sizes S1 to S5. For larger sizes, the connection is made by the Spring Link device. Chains with Spring Link are available for smaller sizes as an option, by adding the letter "Z" to the end of the complete shield kit code.

Global drivelines and shields are tested to meet EN1152, EN ISO 5674, EN 12965 standards, and are CE certified. Complete shield kits are sold as spare parts and therefore, according to the Machinery Directive, do not require a CE mark. However, the mark can be applied on request.

Standards EN 12965 and ANSI/ASABE S604 require a 50 mm overlap of the driveline shield with the implement input connection shield.

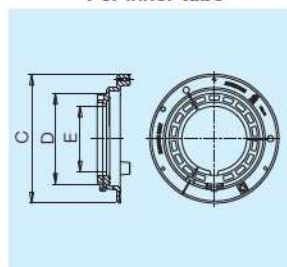
## Bearing ring for standard safety shields

For outer tube



	D mm	E mm	C mm	Spare parts Code
G1	66.0	40.4	103	255011002R02
G2	66.0	47.4	103	255021002R02
G3	72.5	53.4	109	255041002R02
G4	72.5	53.4	109	255041002R02
G5	87.2	62.4	124	255051002R02
G7	87.2	68.4	124	255071002R02
G8	87.2	68.4	124	255071002R02

For inner tube

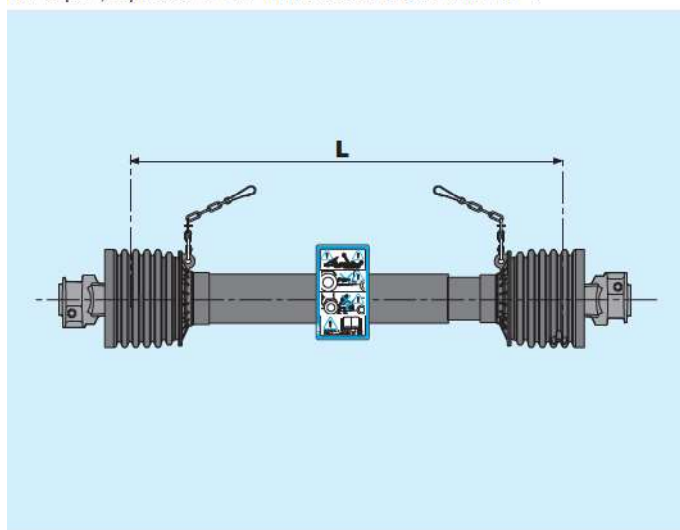


	D mm	E mm	C mm	Spare parts Code
G1	60.6	34.4	103	255011001R02
G2	60.6	40.4	103	255021001R02
G3	67.0	46.4	109	255041001R02
G4	67.0	46.4	109	255041001R02
G5	81.0	53.4	124	255051001R02
G7	81.0	59.4	124	255071001R02
G8	81.0	59.4	124	255071001R02

## Single cardan joint Standard safety shields

Code	086	121
Length L (mm)	860	1210
G1	5CG1086FXSS	5CG1121FXSS
G2	5CG2086FXSS	5CG2121FXSS
G3	5CG3086FXSS	5CG3121FXSS
G4	5CG4086FXSS	5CG4121FXSS
G5	5CG5086FXSS	5CG5121FXSS
G7	5CG7086FXSS	5CG7121FXSS
G8	5CG8086FXSS	5CG8121FXSS

For North America, replace the "FX" in the codes above with "U2".  
For Japan, replace the "FX" in the codes above with "JP".



80° Constant velocity joint  
Standard safety shields

Code	086	121
Length L (mm)	860	1210
G1	---	---
G2	5CG2086FXWS	5CG2121FXWS
G3	---	---
G4	5CG4086FXWS	5CG4121FXWS
G5	5CG5086FXWS	5CG5121FXWS
G7	5CG7086FXWS	5CG7121FXWS
G8	5CG8086FXWS	5CG8121FXWS

80° Double constant velocity joint  
Standard safety shields

Code	086	121
Length L (mm)	860	1210
G1	---	---
G2	5CG2086FXWW	5CG2121FXWW
G3	---	---
G4	5CG4086FXWW	5CG4121FXWW
G5	5CG5086FXWW	5CG5121FXWW
G7	5CG7086FXWW	5CG7121FXWW
G8	5CG8086FXWW	5CG8121FXWW

For North America, replace the "FX" in the codes above with "U2". For Japan, replace the "FX" in the codes above with "JP".

