

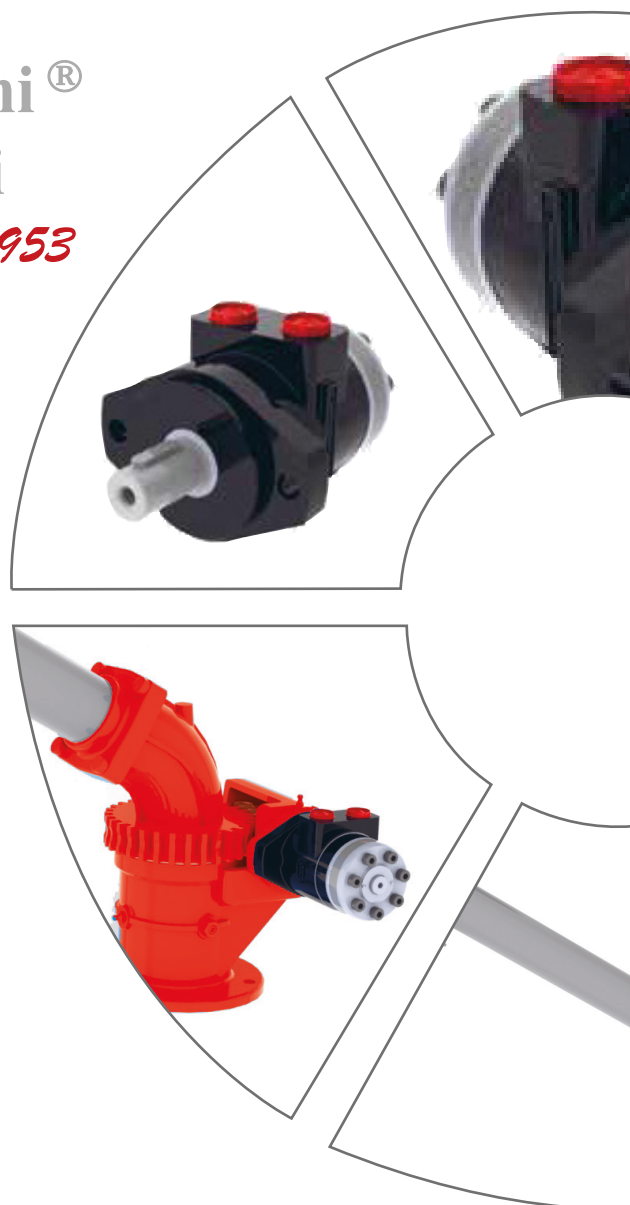
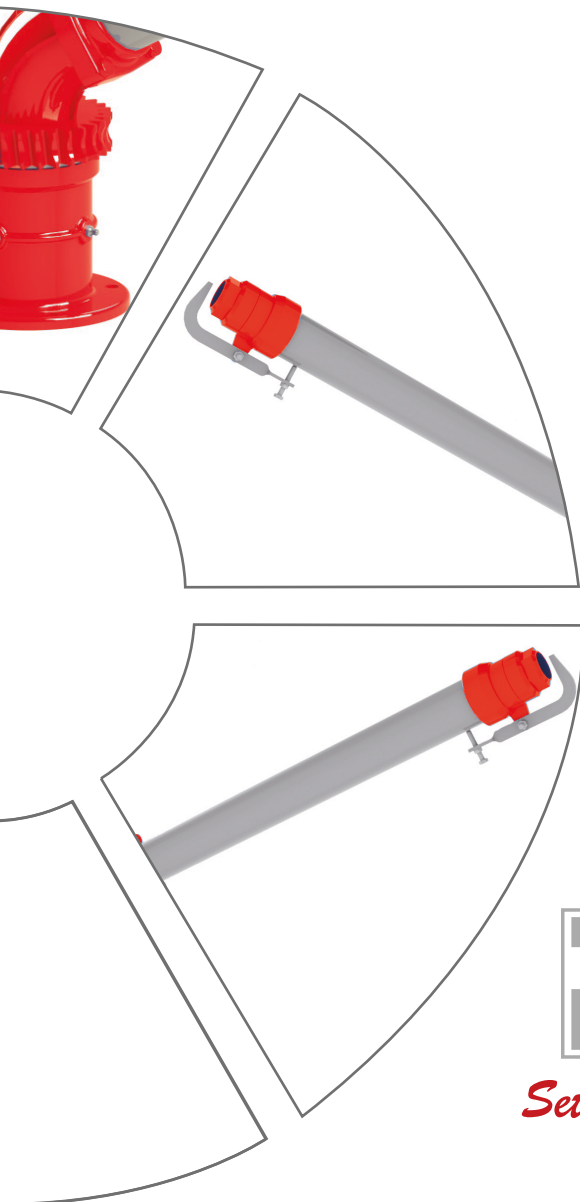
SWIVEL CAST IRON PIPE

Technical catalogue
Catalogo tecnico Technischer
Katalog



Battioni®
Pagani

Setting the pace since 1953



SWIVEL CAST IRON PIPE WITH FLANGE Ø 3" - 4"

GETTO GIREVOLE FLANGIATO
REGNER MIT FLANSCH

HYDRAULIC SWIVEL ADJUSTABLE



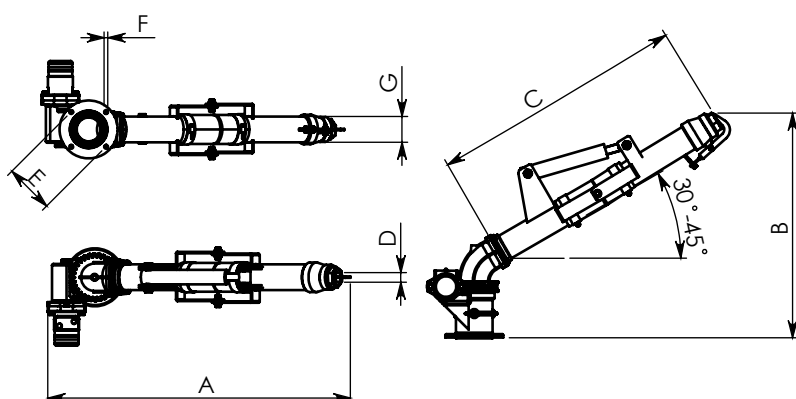
NOMINAL VALUES HYDRAULIC CYLINDER:
- RANGE OIL TEMPERATURE - 20°C + 80°C
- WORKING PRESSURE HYDRAULIC 90÷180 BAR

FEATURES

- HIGH RESISTANCE SPHEROIDAL CAST-IRON
- SUPPLIED WITH 1 O-RINGS FOR COUPLING
- EASY GREASING
- ROTATION OF 360°
- BREAK-SEWAGE
- GALVANIZED PIPE
- VERSION: MANUAL SWIVEL
HYDRAULIC SWIVEL
HYDRAULIC SWIVEL ADJUSTABLE
- HYDRAULIC MOTOR STANDARD

CARATTERISTICHE

- GHISA SFEROIDALE AD ALTA RESISTENZA
- FORNITURA CON 1 OR PER ACCOPPIAMENTO
- INGRASSAGGIO AGEVOLE
- ROTAZIONE DI 360°
- FRANGIGETTO DI SERIE
- TUBO ZINCATO
- VERSIONI: MANUALE
IDRAULICO
IDRAULICO REGOLABILE IN ALTEZZA
- MOTORE IDRAULICO STANDARD



EIGENSCHAFTEN

- HOCH WIDERSTANDSFÄHIGES SPHÄROLITISCHES GUSSEISEN
- GELIEFERT MIT 1 O-RING FÜR KOPPLUNG
- BEQUEMES SCHMIEREN
- DREHUNG UM 360°
- WASSERHAHNAUFSATZ SERIENMÄSSIG
- VERZINKTE LEITUNG
- AUSFÜHRUNGEN: MANUELL
HYDRAULISCH
HYDRAULISCH HÖHENVERSTELLBAR
- HYDRAULIKMOTOREN ALS SERIE

DIMENSION MANUAL SWIVEL

CODE	Ø	A	B	C	D	E	F	G	Kg	Article
6100300012	3"	985	726	890	25-34	170	13	2"1/2	25,5	209/D
6100300013	4"	985	726	890	34	170	13	3"	28,5	209/E

DIMENSION HYDRAULIC SWIVEL

CODE	Ø	A	B	C	D	E	F	G	Kg	Article
6100300026	3"	971	726	890	25-34	170	13	2"1/2	25,5	210/F
6100300027	4"	971	726	890	34	170	13	3"	28,5	210/G

DIMENSION HYDRAULIC SWIVEL ADJUSTABLE

CODE	Ø	A	B	C	D	E	F	G	Kg	Article
6100300028	3"	971	765	890	25-34	170	13	2"1/2	28	211/F
6100300029	4"	971	765	890	34	170	13	3"	31	211/G



SWIVEL CAST IRON PIPE WITH FLANGE Ø 3" - 4"

GETTO GIREVOLE FLANGIATO
REGNER MIT FLANSCH

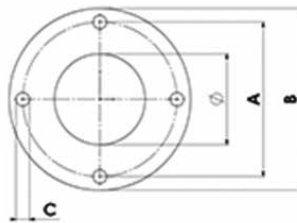
HYDRAULIC SWIVEL



MANUAL SWIVEL



	NOZZLE DIAMETER (mm)	PRESSURE (bar)	CAPACITY (l/min)	JET LENGTH 30° (m)	JET LENGTH 45° (m)
SWIVEL 3"	25-34	5	1600	56	65
SWIVEL 3"	25-34	6	1750	59	69
SWIVEL 3"	25-34	7	1900	62	72
SWIVEL 3"	25-34	8	2020	65	75
SWIVEL 4"	34	5	1800	58	67
SWIVEL 4"	34	6	1960	61	71
SWIVEL 4"	34	7	2100	64	74
SWIVEL 4"	34	8	2260	67	77



CODE	Ø	A	B	C	N. Holes	Thickness	Kg	Article
5010401006	100	170	200	13	4	12	1,4	2003/E



RANGE OIL TEMPERATURE -30° c +60° C
MAX WORKING PRESSURE HYDRAULIC MOTOR 165 bar (2475 psi)
PRESSURE APPLICAT ION 80 bar
MAX OIL CAPACITY 60 l/min.

TEMPERATURA AMMISSIBILE DELL'OLIO -30° c +60° C
 PRESSIONE MAX MOTORE IDRAULICO 165 bar CONTINUA (2475 psi)
 PRESSIONE APPLICAZIONE 80 bar
 PORTATA MAX OLIO 60 l/min. CONTINUA

CODE	Model	Hydraulic Swivel Joint RPM	Kg	Article
5020400011	HYDRAULIC SWIVEL	7	5.9	2601

ULÄSSIGE ÖLTEMPERATUR -30° c +60° C
 MAX DRUCK DES HYDRAULIKES MOTORS 165 bar DAUERND (2475 psi)
 ANWENDUNG DRUCK 80 bar
 MAX DURCHFLOßMENGE ÖL 60 l/min. DAUERND



Battioni Pagani Pompe S.p.A.

Via Enzo Ferrari, 2
43058 Sorbolo (PR) - Italy

Ph. +39 0521 663203

Fax +39 0521 663206



www.bapag.it
info@bapag.it

