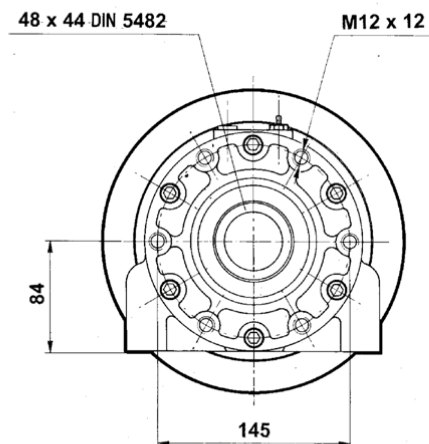
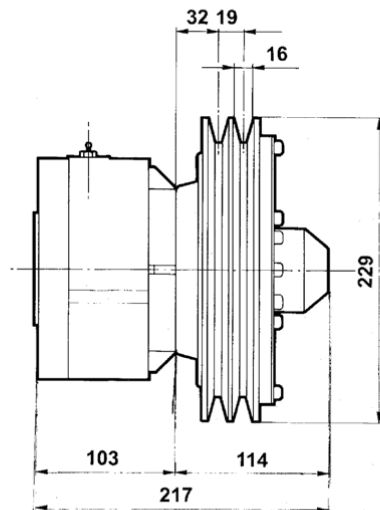
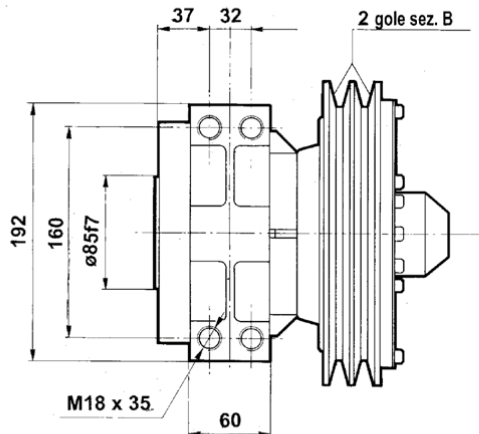




- **INNESTO ELETTROMAGNETICO 50daNm**
- *EMBAYAGE ELECTROMAGNETIQUE 50daNm*
- *ELECTROMAGNETIC COUPLING 50daNm*
- *ELEKTROMAGNETISCHE SCHALT KupPLUNGEN 50daNm*

SERIE: 30940/SF 12 Volt

SERIE: 30941/SF 24 Volt

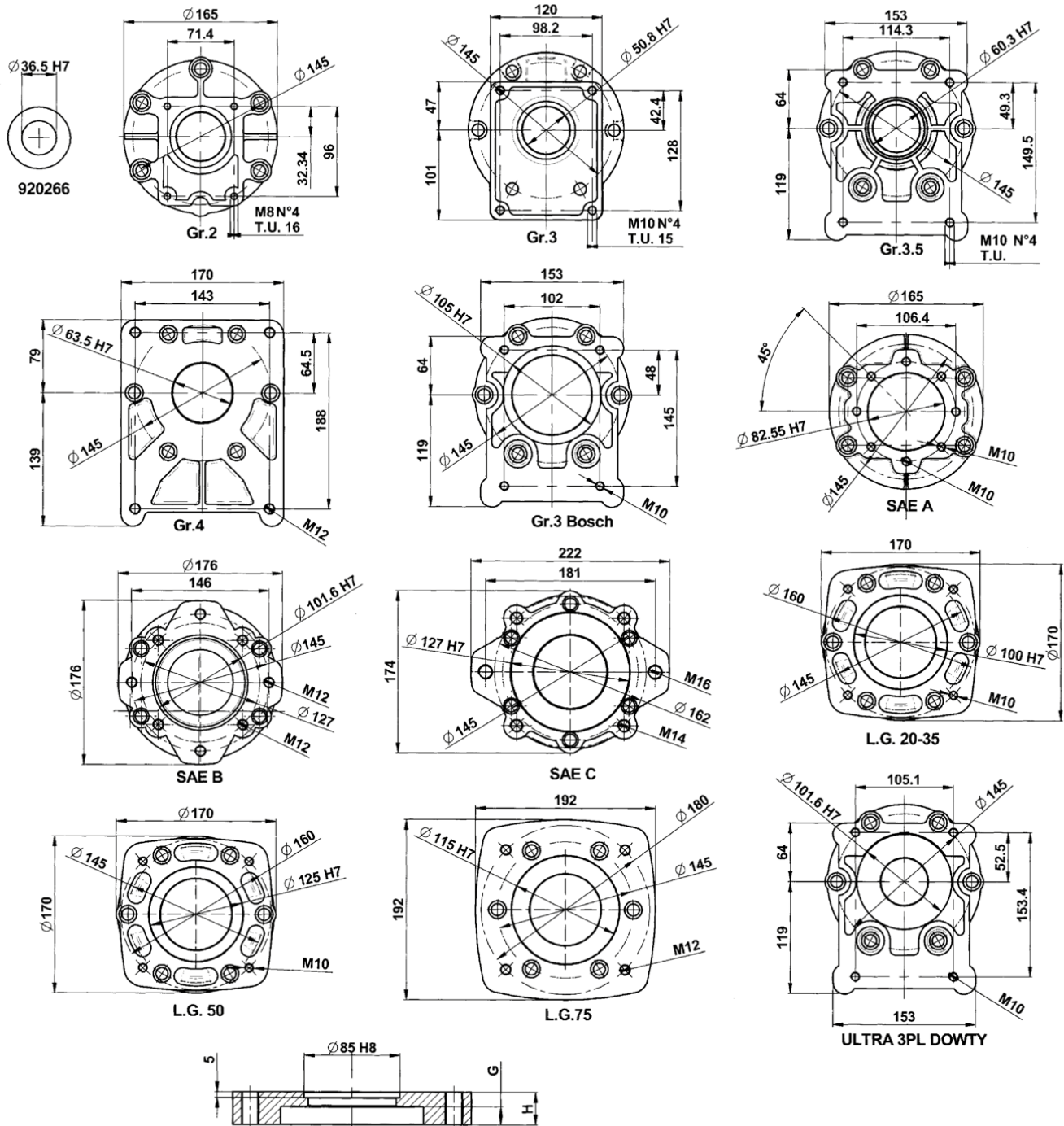


|                     |                |        |                    |        |                                     |          |
|---------------------|----------------|--------|--------------------|--------|-------------------------------------|----------|
| Nominal torque      | 38,0 daNm      |        | Connection time    |        | 25 m/sec                            |          |
| Static torque       | 50,0 daNm      |        | Disconnection time |        | 40 m/sec                            |          |
| Dynamic torque      | 33,0 daNm      |        | at 500 rpm         |        | Minimum time between two connection | 20 sec   |
|                     | 31,5 daNm      |        | at 1000 rpm        |        |                                     |          |
|                     | 28,7 daNm      |        | at 1500 rpm        |        |                                     |          |
|                     | 28,0 daNm      |        | at 2000 rpm        |        | Max speed                           | 5000 rpm |
|                     | 27,2 daNm      |        | at 2500 rpm        |        |                                     |          |
|                     | 27,0 daNm      |        | at 3000 rpm        |        |                                     |          |
| Electric absorption | Resistance (Ω) |        | Current (A)        |        | Power (W)                           |          |
|                     | 20° C          | 120° C | 20° C              | 120° C | 20° C                               | 120° C   |
| 12 V DC             | 1,81           | 2,60   | 6,60               | 4,62   | 80,00                               | 56,00    |
| 24 V DC             | 7,40           | 10,50  | 3,25               | 2,30   | 78,00                               | 54,60    |

All technical data are at 20°C / at 120 °C the performance are less 20%  
All electromagneteic clutches are reversible.



- FLANGE PER INNESTI ELETTRIMAGNETICI 50 daNm
- BRIDE POUR EMBRAYAGES ELECTROMAGNETIQUE 50 daNm
- FLANGES FOR ELECTROMAGNETIC COUPLING 50 daNm
- FLANSCHEN FÜR ELEKTROMAGNETISCHE SCHALTKUPPLUNGEN 50 daNm



| Flangia : Tipo<br>Bride : Type<br>Flange : Type<br>Flanschtipe           | Gr.2  | Gr.3  | Gr.3.5 | Gr.4  | Gr.3<br>BOSCH | SAE A | SAE B | SAE C | L.G. 20-35 | L.G. 50 | L.G.75 | ULTRA 3PL<br>DOWTY |
|--|-------|-------|--------|-------|---------------|-------|-------|-------|------------|---------|--------|--------------------|
| H  | 21    | 23    | 24     | 23    | 19            | 25    | 25    | 28    | 34         | 41      | 41     | 24.5               |
| G  | 17    | 21    | 11.5   | 16    | 12            | 21    | 12    | 16    | 25         | 32.5    | 33     | 10.5               |
| Codice flangia<br>Code bride<br>Code N. flange<br>Codenummer flanschtipe | 30400 | 30401 | 30402  | 30403 | 30417         | 30420 | 30422 | 30432 | 30461      | 30462   | 30463  | 30471              |