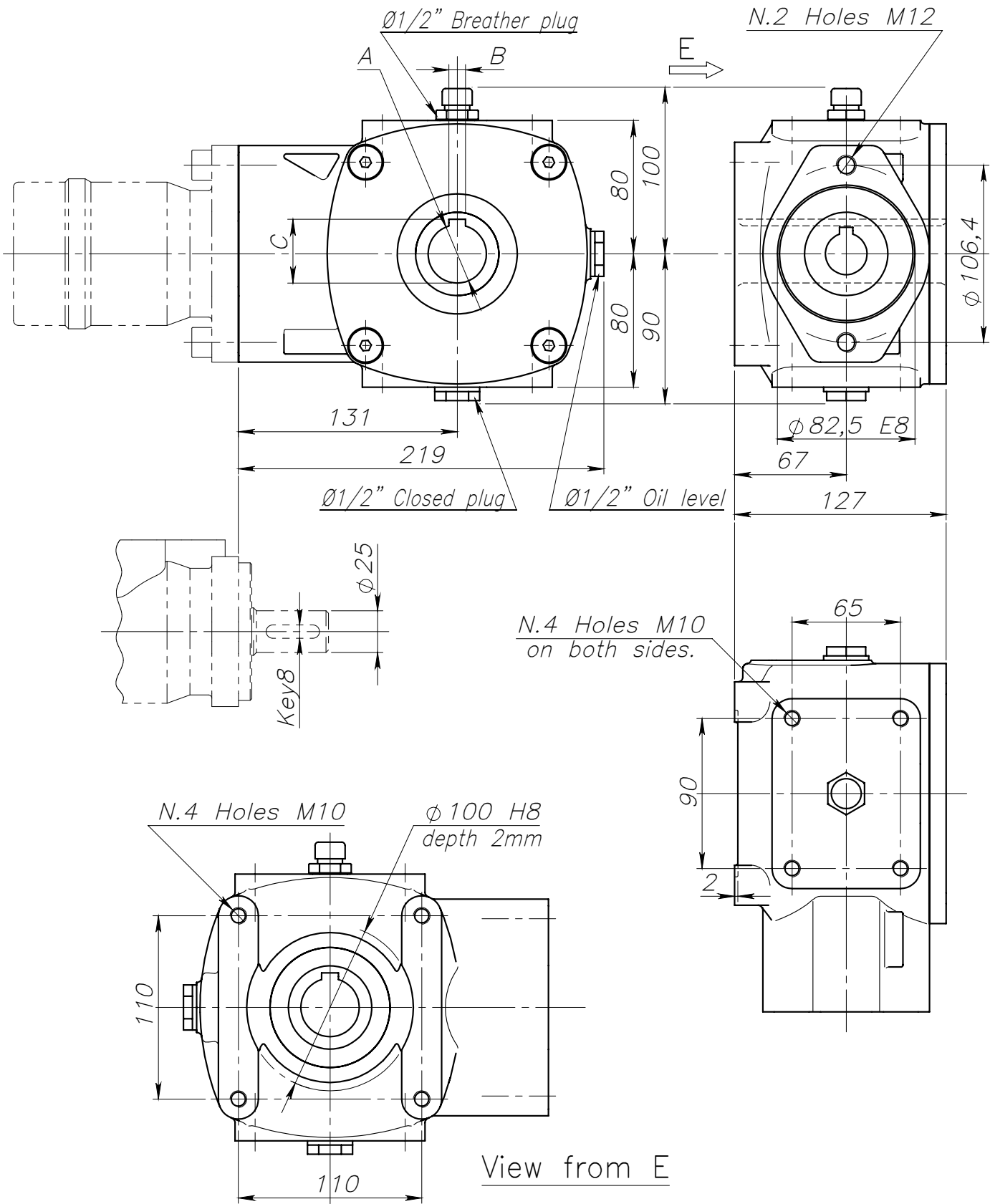


17/10/2013



Gear box RT 90-EG



Code	A E8	B E8	C	Weight kg	Ratio	Output torque Nm	Oil Type	Quantity kg	Working Temperature:
16899	35	10	38,8	12.7	3,1:1	900	SAE 90 EP	0,6	-20°C +80°C