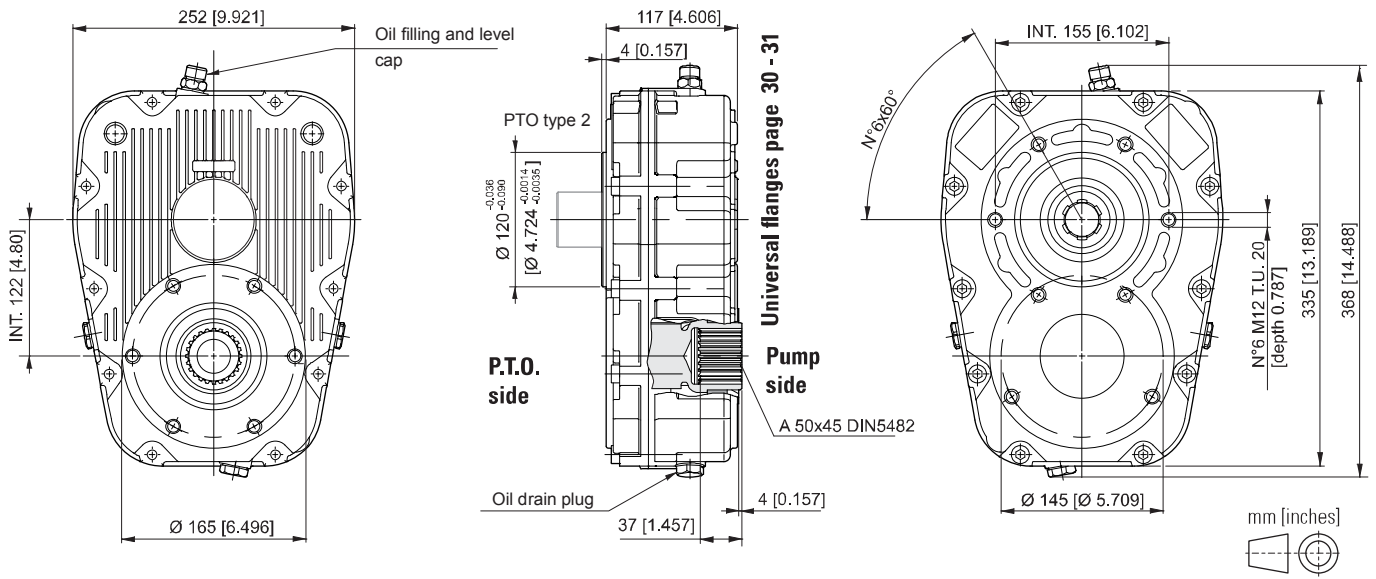
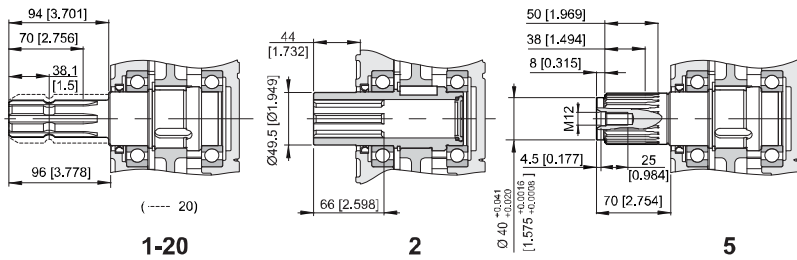


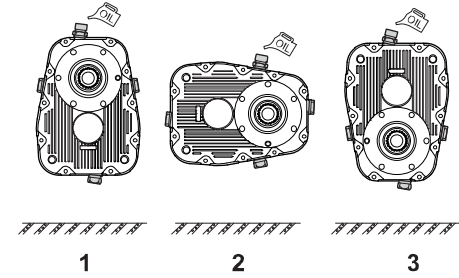
SPEED INCREASER GEARBOX FOR PUMPS WITH EUROPEAN UNIFIED FLANGE / SAE / ISO



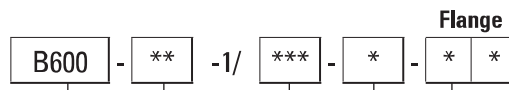
P.T.O.



Mounting positions



ORDERING CODE



B600 = Speed increaser (aluminium body)

P.T.O.

- 1** = Male 1" 3/8 DIN 9611
- 2** = Female 1" 3/8 DIN 9611
- 5** = Male Z23 DIN 5482
- 20** = Male 1" 3/4

Coupling for pump to be required to our sales department.

Type
(see page 30 - 31)

Type	Flange position	
	1	2
D / G		
E / F		
A / B / C / L / M	—	

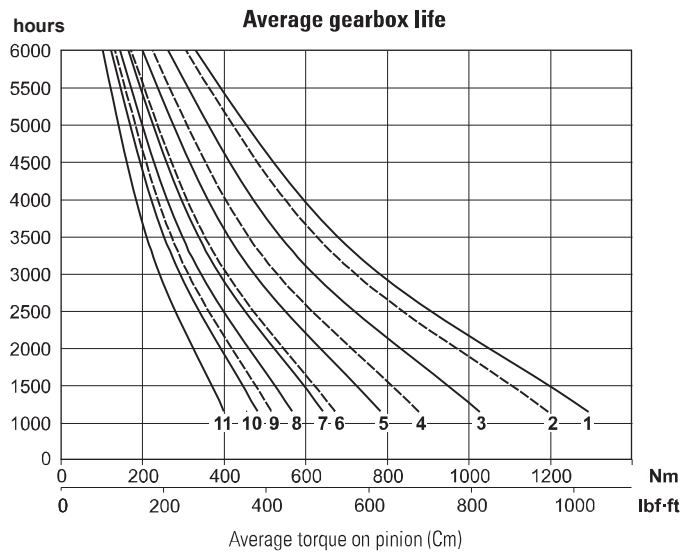
Mounting positions
1 / 2 / 3

Transmission ratio

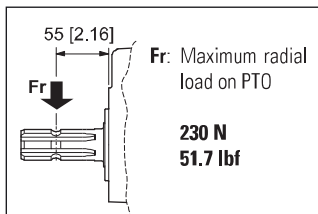
- 1** = 1 : 1.0
- 1,5** = 1 : 1.5
- 2** = 1 : 2.0
- 2,6** = 1 : 2.6
- 3** = 1 : 3.0
- 3,4** = 1 : 3.4
- 3,8** = 1 : 3.8

TECHNICAL DATA

Transmission ratio	Maximum torque Nm [lbf-ft]				Weight kg [lb]
	540 rpm		1000 rpm		
	C1*	C2*	C1*	C2*	
1 : 1.0	1292 [953]	680 [502]	1193 [880]	628 [463]	17,5 [38,6]
1 : 1.5	1025 [756]	539 [398]	876 [646]	461 [340]	16,2 [35,7]
1 : 2.0	783 [578]	412 [304]	671 [495]	353 [260]	16,1 [35,5]
1 : 2.6	642 [474]	338 [249]	513 [378]	270 [199]	16,1 [35,5]
1 : 3.0	567 [418]	298 [220]	—	—	16,3 [35,9]
1 : 3.4	481 [354]	253 [187]	—	—	16,3 [35,9]
1 : 3.8	399 [294]	210 [155]	—	—	16,3 [35,9]



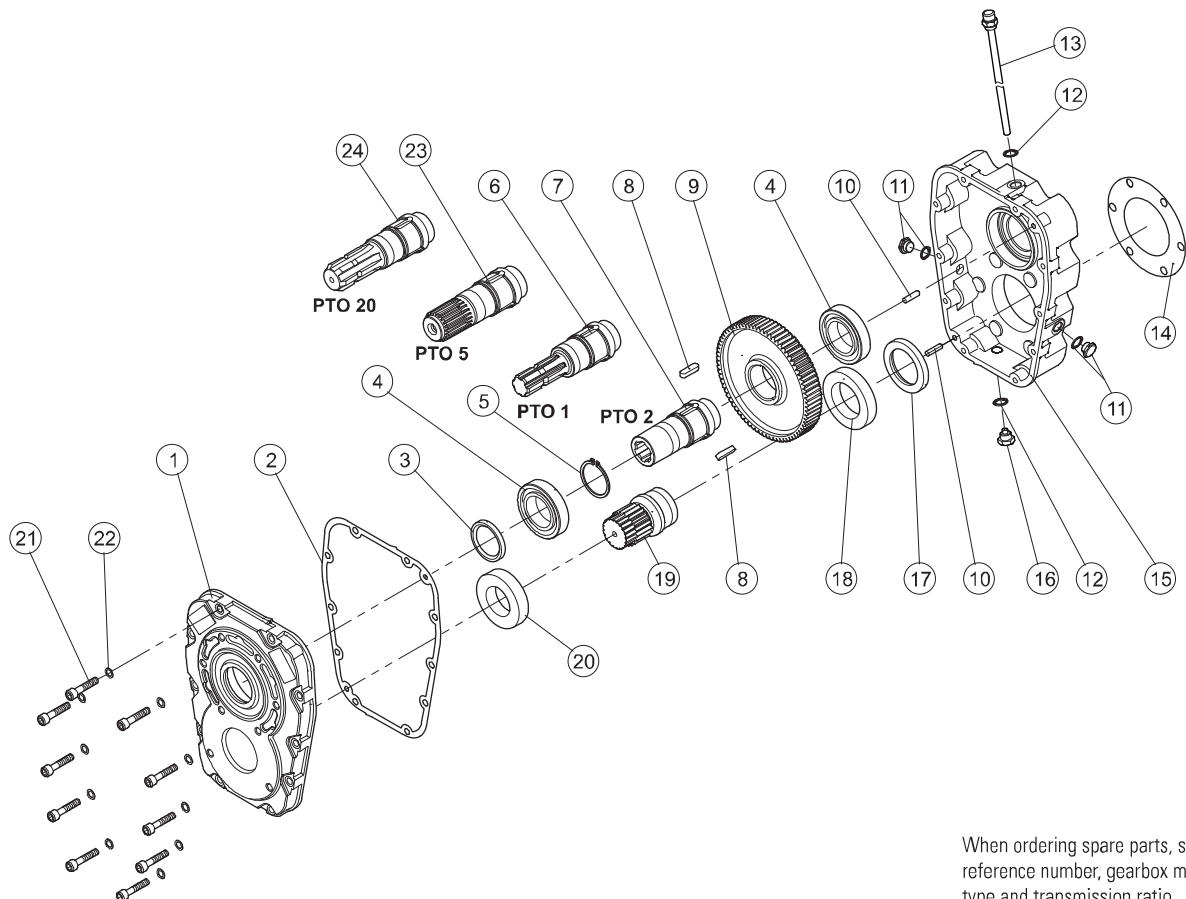
* Maximum torque on pump:
C1= maximum starting torque; C2= maximum torque for continuous duty.



Mounting positions	Oil liters [US gallon]
1	1.4 [0.37]
2	1.65 [0.44]
3	1.00 [0.26]

Input rpm		Output (transmission ratio)						
		1 : 1.0	1 : 1.5	1 : 2.0	1 : 2.6	1 : 3.0	1 : 3.4	1 : 3.8
540	curve	1	3	5	7	8	10	11
	rpm	540	810	1080	1408	1620	1836	2030
1000	curve	2	4	6	9	—	—	—
	rpm	1000	1500	2000	2607	—	—	—

SPARE PARTS



When ordering spare parts, specify reference number, gearbox model, PTO type and transmission ratio.