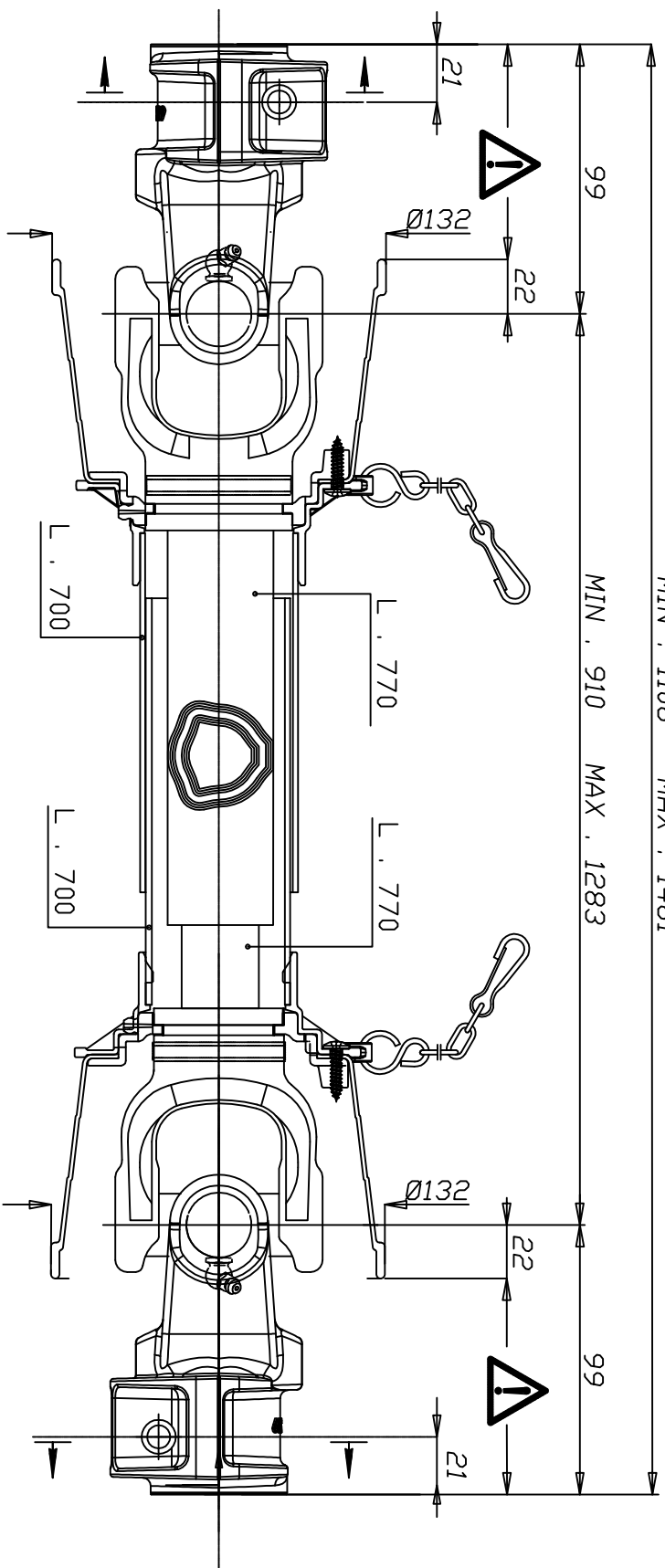


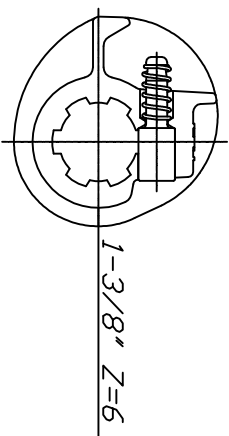
MIN . 1108 MAX . 1481

MIN . 910 MAX . 1283



WARNING!

SECTIONS OF THE ASSEMBLY MARKED  ARE NOT SHIELDED AND MUST BE SHIELDED BY AN INTERACTIVE GUARDING SYSTEM. BINAGCHI S.p.A. DECLINES RESPONSIBILITY IF PROPER GUARD ARE NOT PROVIDED OR MAINTAINED.



DATA
29/03/17

VISTO

CLIENTE-CUSTOMER-KUNDE

BONDOLI & PAVESI SALES & LOGISTIC

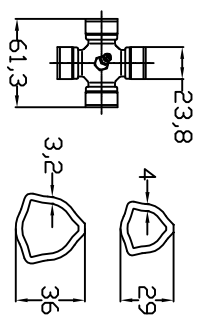
RIF. CLIENTE-CUSTOMER REF.-REF. CLIENT-BEZUG KUNDE

TIPO DI MACCHINA-TYPE OF IMPLEMENT-TYPE DE MACHINE-MASCHINENTYPE

MODIFICHE-MODIFICATIONS-ÄNDERUNGEN-MODIFICACIONES



TIPO-TYPE
TYP
B2



POTENZA : 21 Cv (540 g/min)
COPPIA : 270 Nm (540 g/min)

NOTE : Spec. per forcella con pulsante incassato ambo i lati

CODICE C.E.D.
B2D091CEA60001