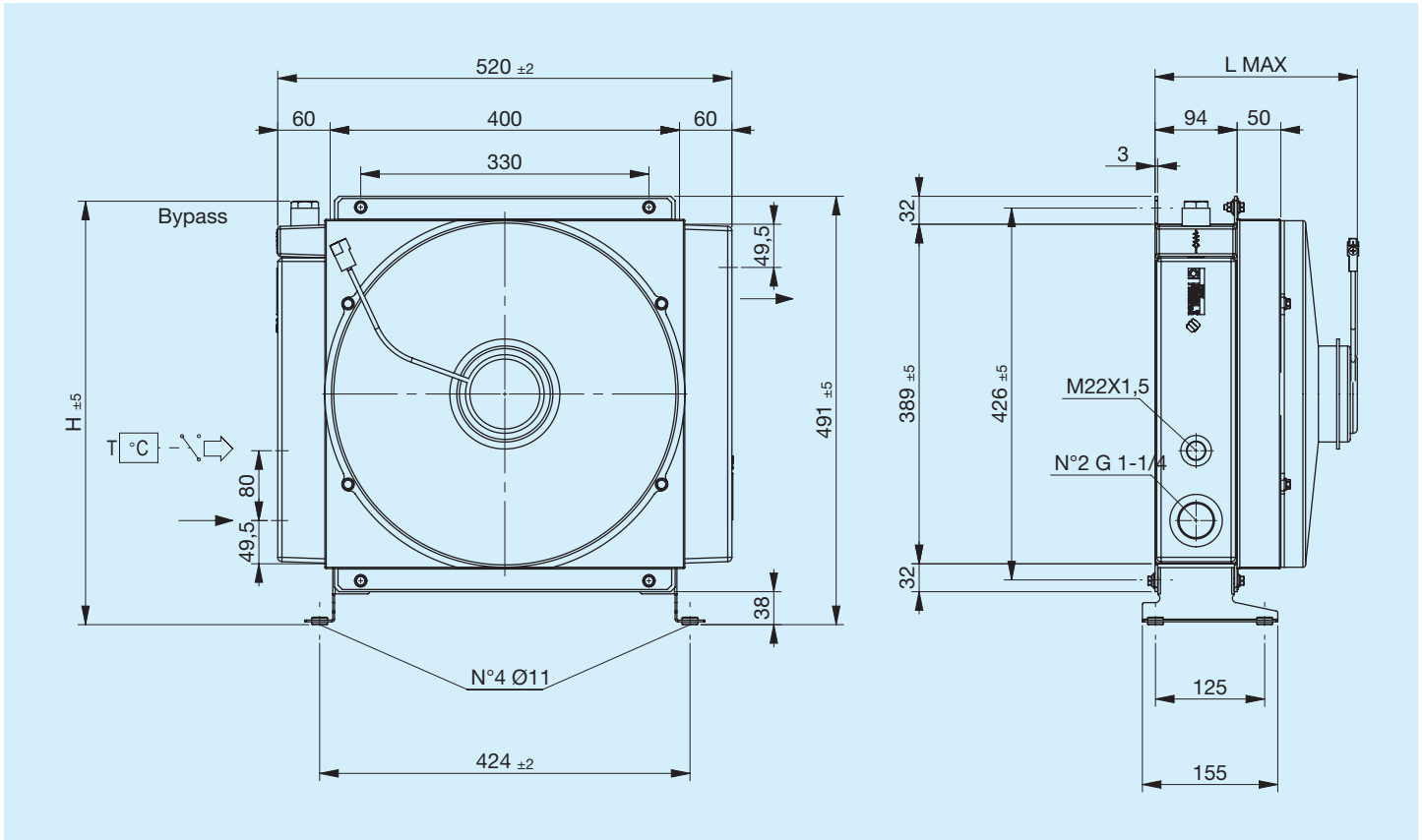


A56

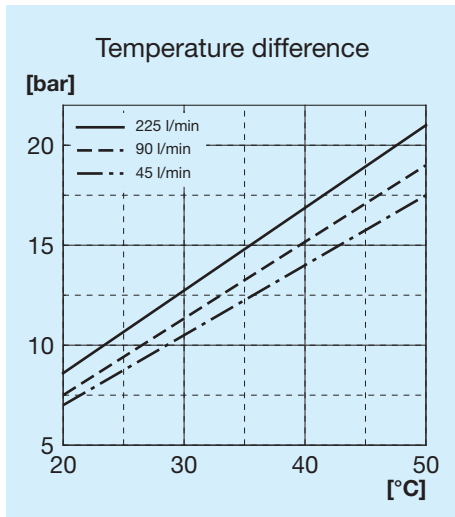


Before using the heat exchanger, carefully read the document entitled GENERAL OPERATING INSTRUCTIONS FOR HEAT EXCHANGER USE

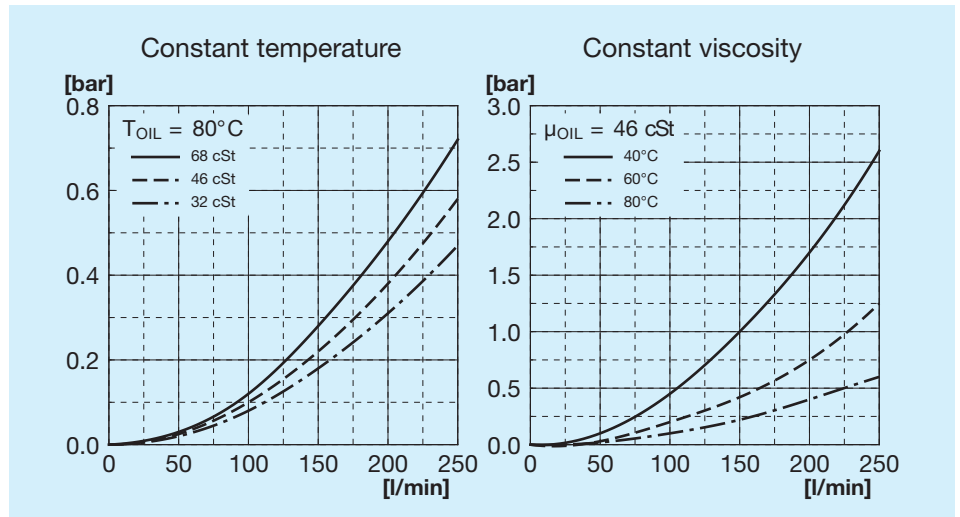


Code	Description	Ø Fan mm	Air flow m³/h	Voltage V	Amperage A	L Max mm	H mm	Weight Kg	Capacity l
FR633223105	A56 1EAX 12V bypass T15 V.T. 3 bar 60°C	385	4000	12	22	235	485	16.5	7.5
FR633223106	A56 1ESX 12V bypass T15 V.T. 3 bar 60°C	385	4000	12	22	235	485	16.5	7.5
FR633221005	A56 1EAX 12V bypass T15 VNR 4.5 bar	385	4000	12	22	235	469	16.5	7.5
FR633221006	A56 1ESX 12V bypass T15 VNR 4.5 bar	385	4000	12	22	235	469	16.5	7.5
FR633223115	A56 1EAX 24V bypass T15 V.T. 3 bar 60°C	385	4000	24	11	235	485	16.5	7.5
FR633223116	A56 1ESX 24V bypass T15 V.T. 3 bar 60°C	385	4000	24	11	235	485	16.5	7.5
FR633221015	A56 1EAX 24V bypass T15 VNR 4.5 bar	385	4000	24	11	235	469	16.5	7.5
FR633221016	A56 1ESX 24V bypass T15 VNR 4.5 bar	385	4000	24	11	235	469	16.5	7.5
FR633220003	A56 1EAP 12V	385	2200	12	22	200	492	15.5	7.5
FR633220004	A56 1ESP 12V	385	2200	12	22	200	492	15.5	7.5
FR633220005	A56 1EAX 12V	385	4000	12	22	235	492	16.5	7.5
FR633220006	A56 1ESX 12V	385	4000	12	22	235	492	16.5	7.5
FR633220013	A56 1EAP 24V	385	2200	24	11	200	492	15.5	7.5
FR633220014	A56 1ESP 24V	385	2200	24	11	200	492	15.5	7.5
FR633220015	A56 1EAX 24V	385	4000	24	11	235	492	16.5	7.5
FR633220016	A56 1ESX 24V	385	4000	24	11	235	492	16.5	7.5

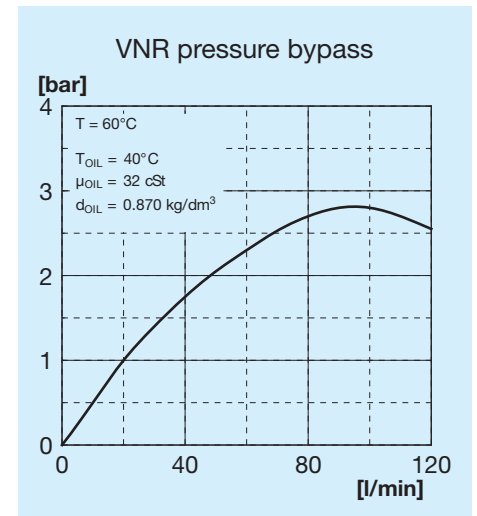
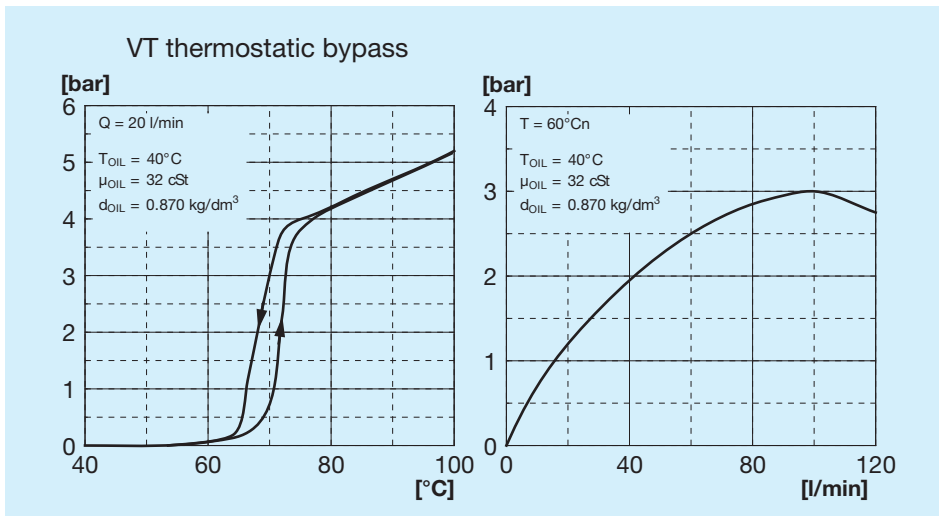
Heat exchange (thermal) capacity



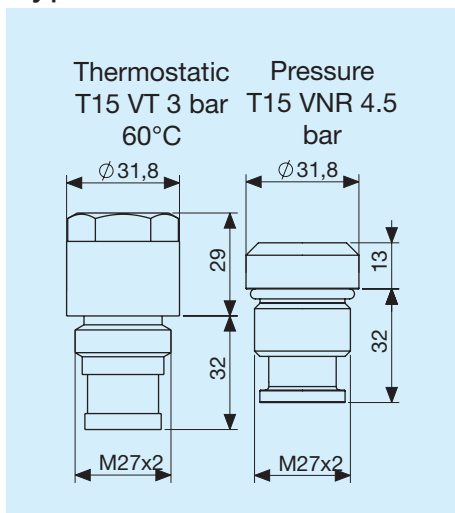
Radiator passage pressure drop



Bypass passage load loss

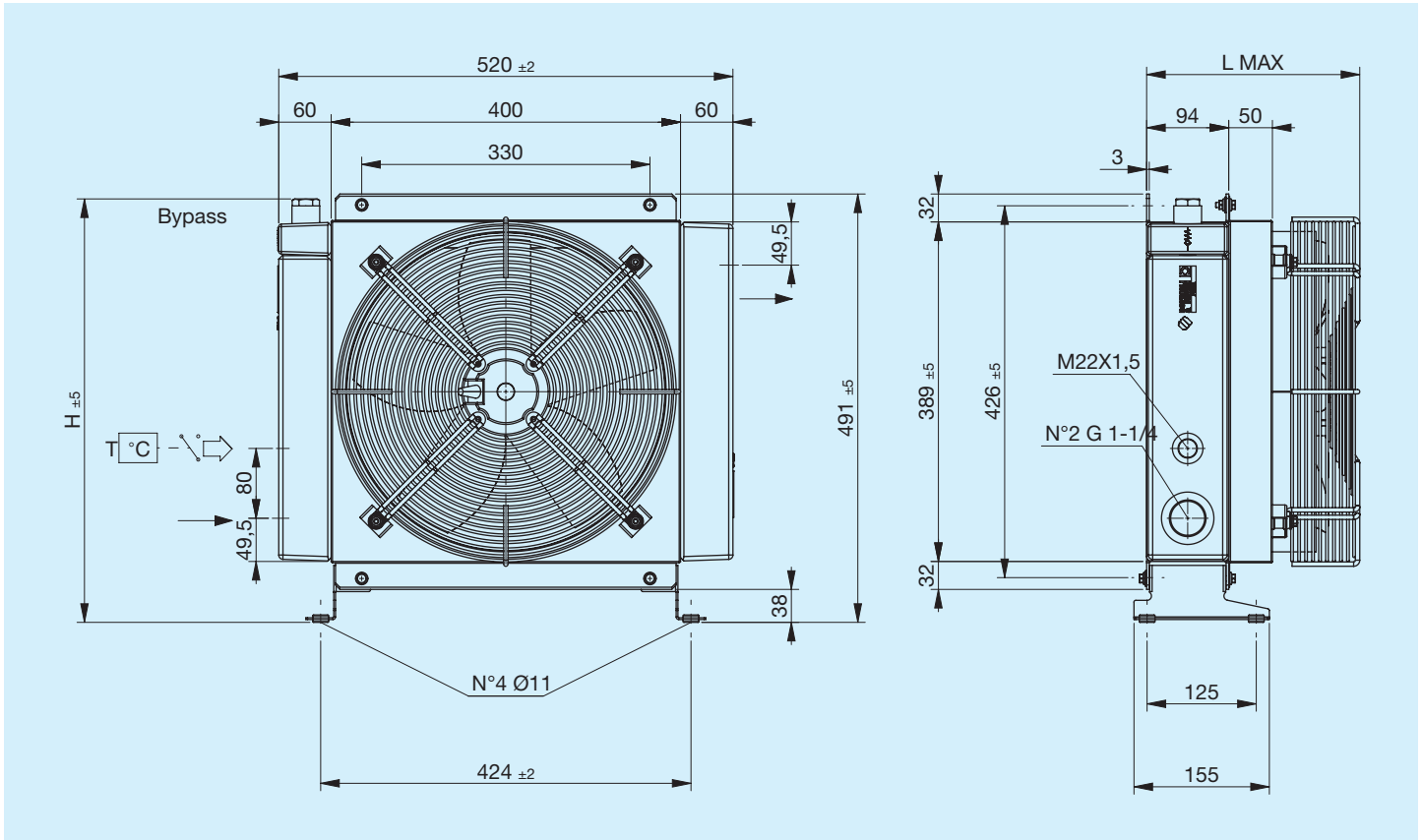


Bypass valves



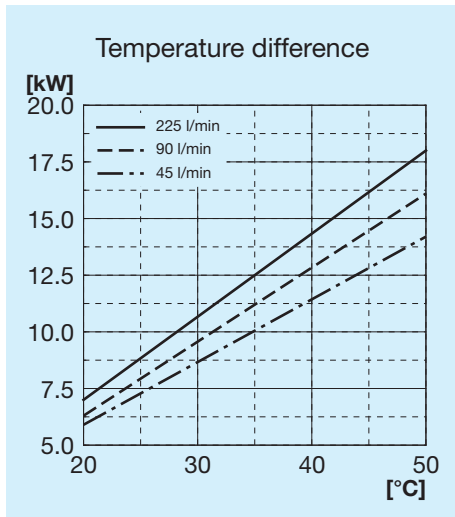
Legend

A56	Exchanger type
1E	1 Fan unit
AP	High power aspirating
SP	High power blower
AX	Extra high power aspirating
SX	Extra high power blower
12V	Fan unit voltage
24V	Fan unit voltage
T15 VT	Thermostatic bypass valve 3 bar 60u00b0C
T15 VNR	Pressure bypass valve at 4.5 bar

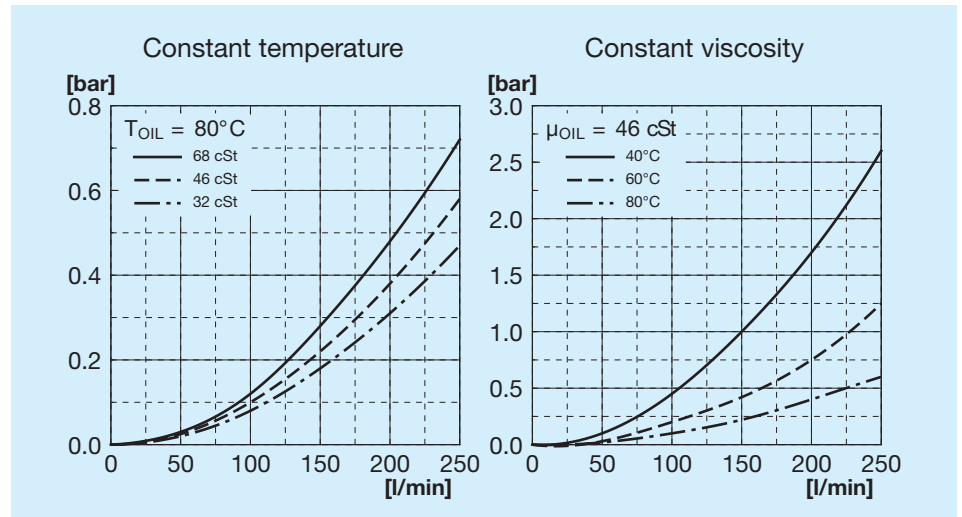


Code	Description	Ø Fan mm	Power W	Frequen- cy Hz	Velocity min ⁻¹	IP Rating	L Max mm	H mm	Weight Kg	Capacity l
FR633223131	A56 1EA 230V bypass T15 V.T. 3 bar 60°C	350	190	50 60	1400 1590	44	244	485	16.2	7.5
FR633223132	A56 1ES 230V bypass T15 V.T. 3 bar 60°C	350	190	50 60	1400 1590	44	244	485	16.2	7.5
FR633221031	A56 1EA 230V bypass T15 VNR 4.5 bar	350	190	50 60	1400 1590	44	244	469	16.2	7.5
FR633221032	A56 1ES 230V bypass T15 VNR 4.5 bar	350	190	50 60	1400 1590	44	244	469	16.2	7.5
FR633223121	A56 1EA 400V bypass T15 V.T. 3 bar 60°C	350	190	50 60	1420 1640	44	244	485	16.2	7.5
FR633223122	A56 1ES 400V bypass T15 V.T. 3 bar 60°C	350	190	50 60	1420 1640	44	244	485	16.2	7.5
FR633221021	A56 1EA 400V bypass T15 VNR 4.5 bar	350	190	50 60	1420 1640	44	244	469	16.2	7.5
FR633221022	A56 1ES 400V bypass T15 VNR 4.5 bar	350	190	50 60	1420 1640	44	244	469	16.2	7.5
FR633220031	A56 1EA 230V	350	190	50 60	1400 1590	44	244	493	16.2	7.5
FR633220032	A56 1ES 230V	350	190	50 60	1400 1590	44	244	493	16.2	7.5
FR633220021	A56 1EA 400V	350	190	50 60	1420 1640	44	244	493	16.2	7.5
FR633220022	A56 1ES 400V	350	190	50 60	1420 1640	44	244	493	16.2	7.5

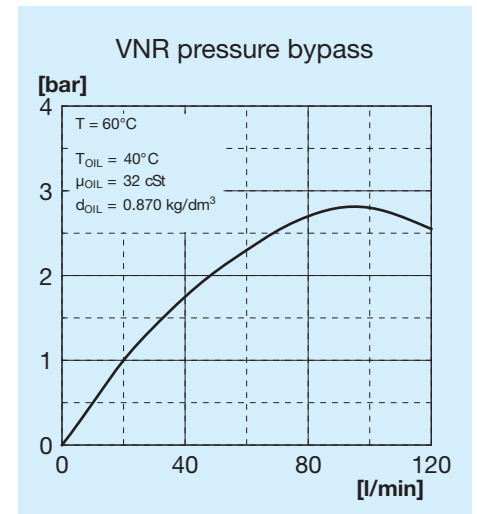
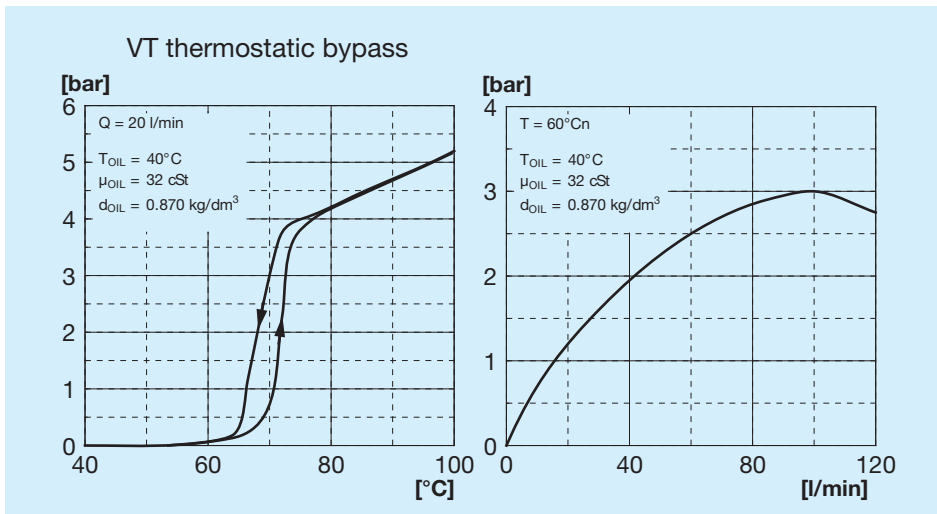
Heat exchange (thermal) capacity



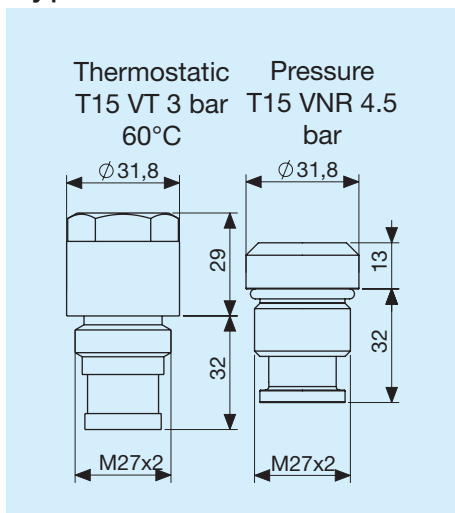
Radiator passage pressure drop



Bypass passage load loss

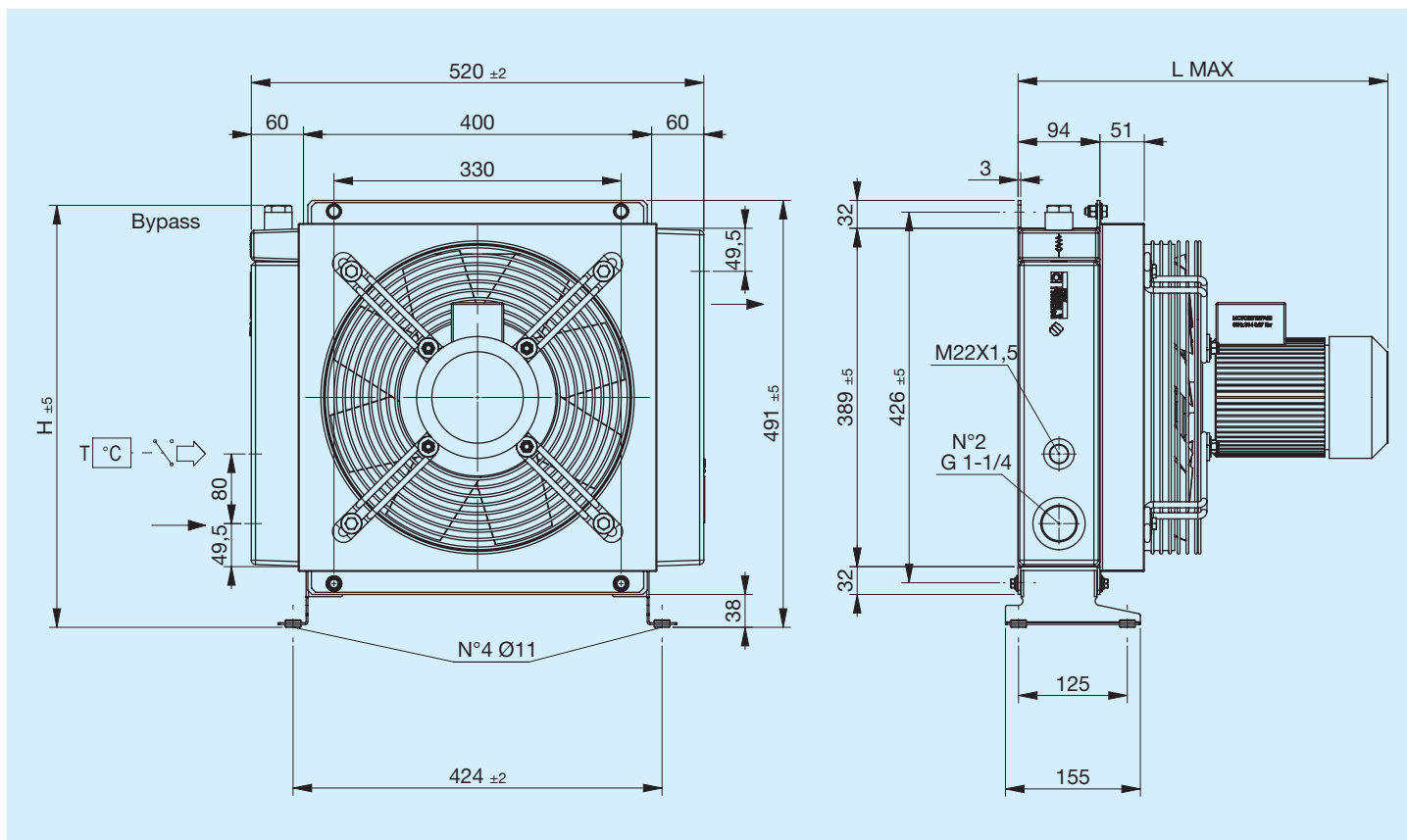


Bypass valves



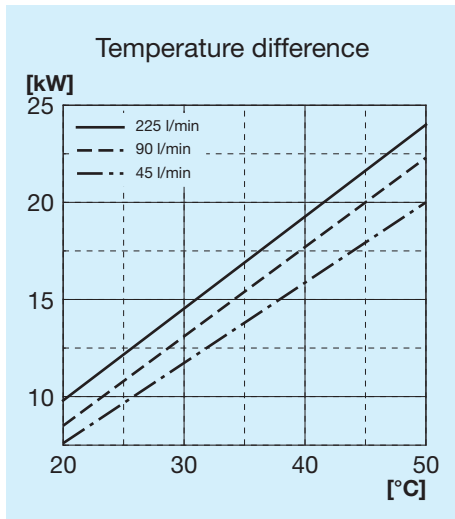
Legend

A56	Exchanger type
1E	1 Fan unit
AP	High power aspirating
SP	High power blower
AX	Extra high power aspirating
SX	Extra high power blower
12V	Fan unit voltage
24V	Fan unit voltage
T15 VT	Thermostatic bypass valve 3 bar 60u00b0C
T15 VNR	Pressure bypass valve at 4.5 bar

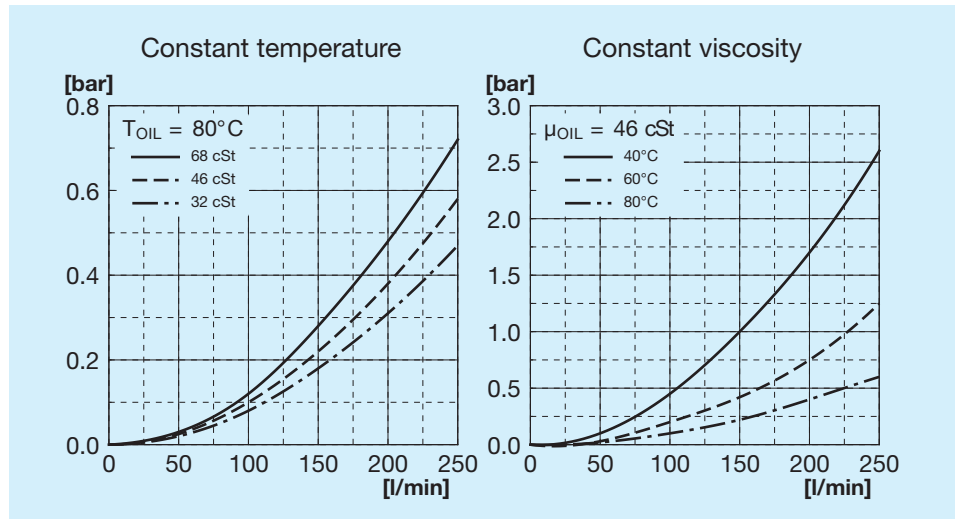


Code	Description	Ø Fan mm	Power W	Frequen- cy Hz	Velocity min ⁻¹	IP Rating	L Max mm	H mm	Weight Kg	Capacity l
FR633223141	A56 1EA 220V-B14 bypass T15 V.T. 3 bar 60°C	340	370	50	1390	65	425	485	25.2	7.5
FR633221041	A56 1EA 220V-B14 bypass T15 VNR 4.5 bar	340	370	50	1390	65	425	469	25.2	7.5
FR633223151	A56 1EA 380V-B14 bypass T15 V.T. 3 bar 60°C	340	370	50	1390	65	425	485	25.2	7.5
FR633223152	A56 1ES 380V-B14 bypass T15 V.T. 3 bar 60°C	340	370	50	1390	65	425	485	25.2	7.5
FR633221051	A56 1EA 380V-B14 bypass T15 VNR 4.5 bar	340	370	50	1390	65	425	469	25.2	7.5
FR633221052	A56 1ES 380V-B14 bypass T15 VNR 4.5 bar	340	370	50	1390	65	425	469	25.2	7.5
FR633220041	A56 1EA 220V-B14	340	370	50	1390	65	425	492	25.2	7.5
FR633220042	A56 1ES 220V-B14	340	370	50	1390	65	425	492	25.2	7.5
FR633220051	A56 1EA 380V-B14	340	370	50	1390	65	425	492	25.2	7.5
FR633220052	A56 1ES 380V-B14	340	370	50	1390	65	425	492	25.2	7.5

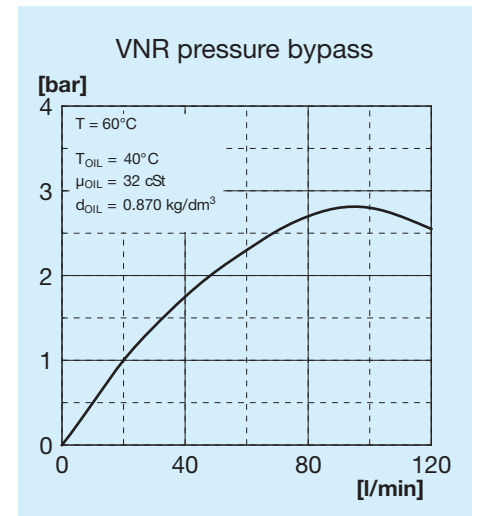
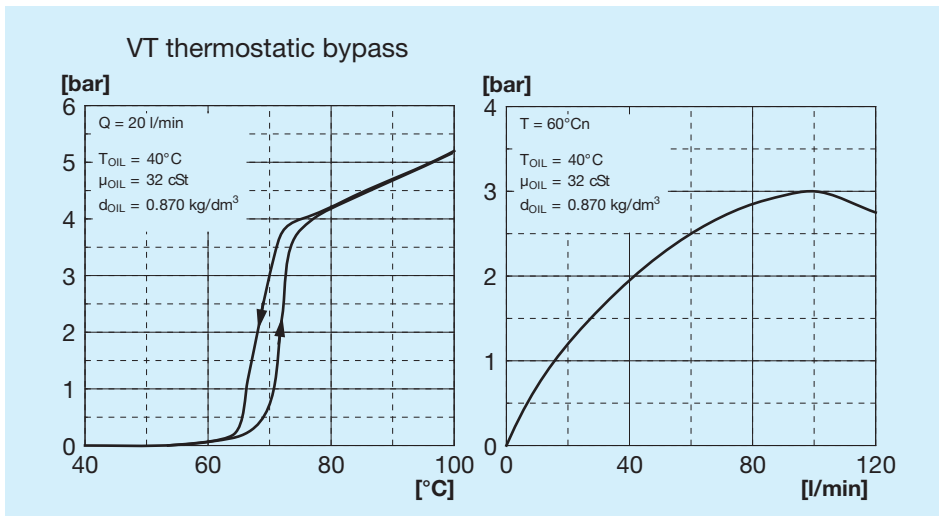
Heat exchange (thermal) capacity



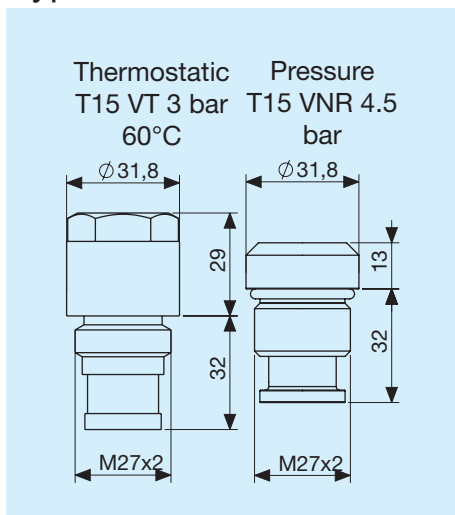
Radiator passage pressure drop



Bypass passage load loss

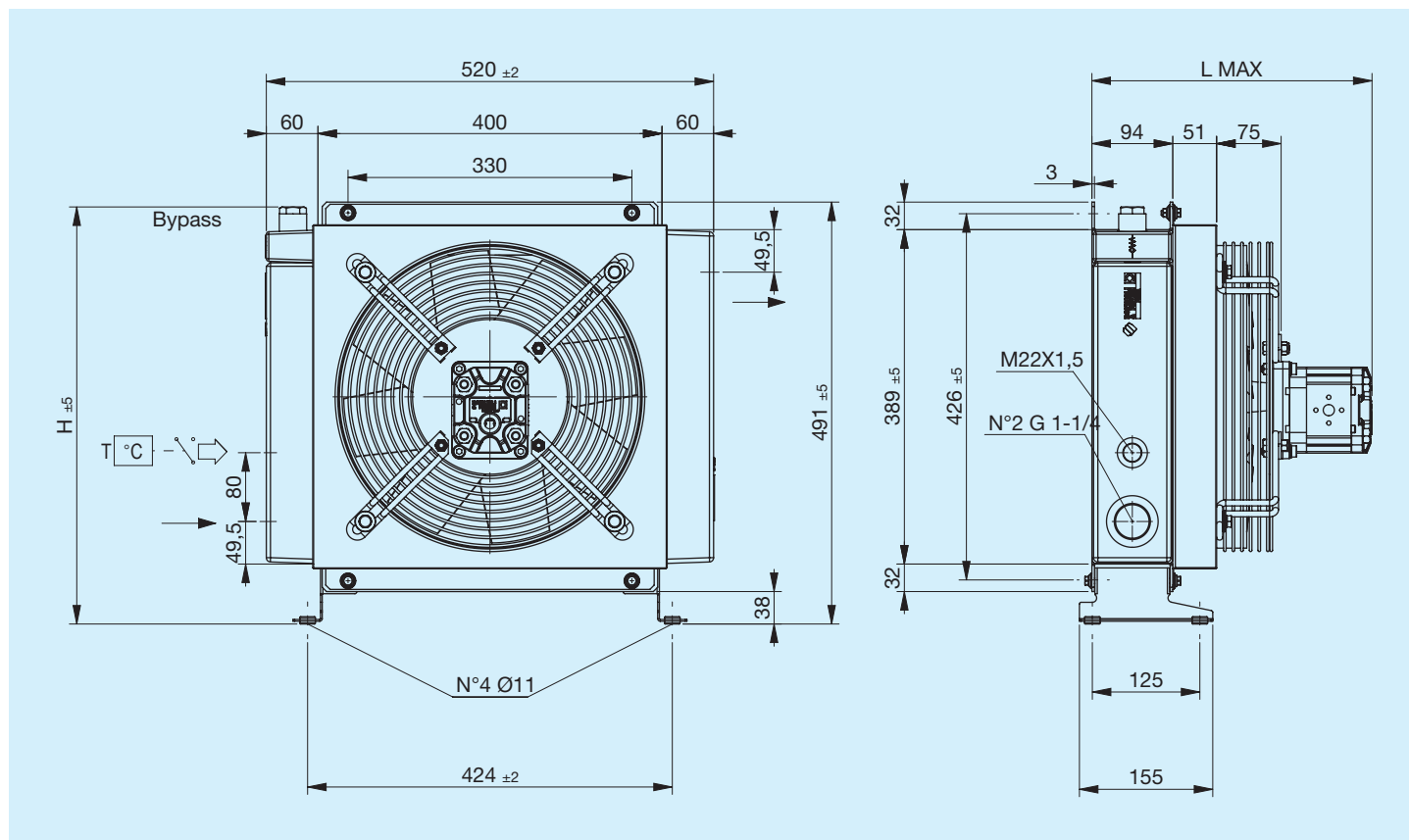


Bypass valves



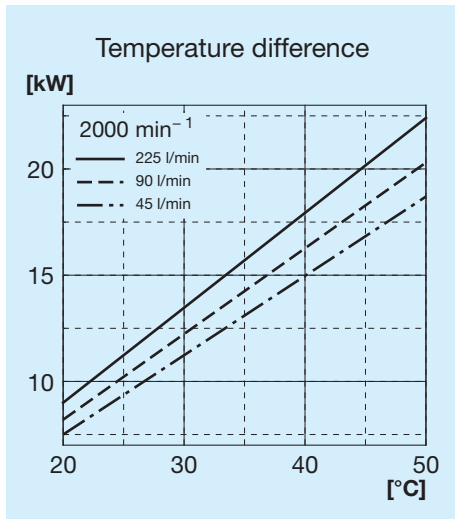
Legend

A56	Exchanger type
1E	1 Fan unit
AP	High power aspirating
SP	High power blower
AX	Extra high power aspirating
SX	Extra high power blower
12V	Fan unit voltage
24V	Fan unit voltage
T15 VT	Thermostatic bypass valve 3 bar 60u00b0C
T15 VNR	Pressure bypass valve at 4.5 bar

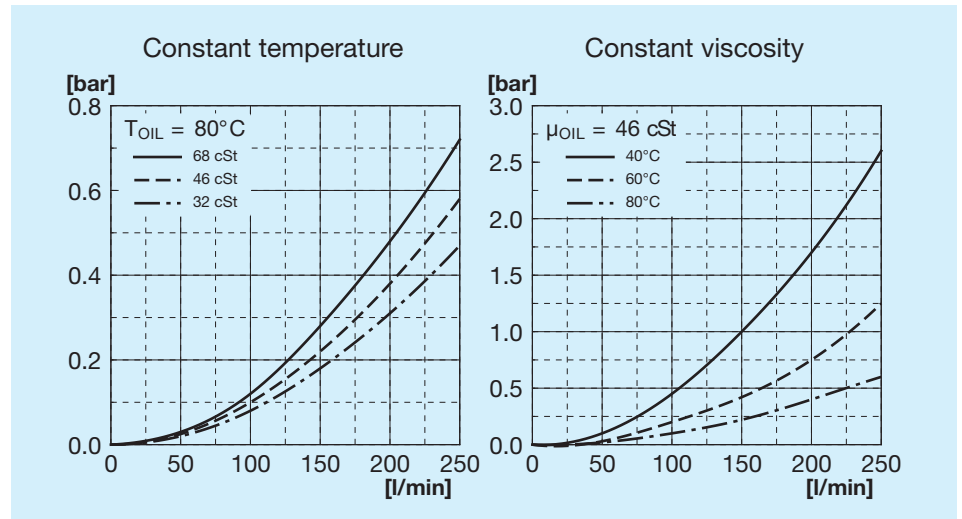


Code	Description	Ø Fan	Displacement motors	L Max	H	Weight	Capacity
		mm	cm ³ /h	mm	mm	Kg	l
FR634223101	A56 IA SETT.GR2 bypass T15 V.T. 3 bar 60°C	340	—	260	485	18	7.5
FR634223102	A56 IS SETT.GR2 bypass T15 V.T. 3 bar 60°C	340	—	260	485	18	7.5
FR634221001	A56 IA SETT.GR2 bypass T15 VNR 4.5 bar	340	—	260	469	18	7.5
FR634221002	A56 IS SETT.GR2 bypass T15 VNR 4.5 bar	340	—	260	469	18	7.5
FR634223103	A56 IA HYDR.MOT. GR2 bypass T15 V.T. 3 bar 60°C	340	6	320	485	19	7.5
FR634223104	A56 IS HYDR.MOT. GR2 bypass T15 V.T. 3 bar 60°C	340	6	320	485	19	7.5
FR634221003	A56 IA HYDR.MOT. GR2 bypass T15 VNR 4.5 bar	340	6	320	469	19	7.5
FR634221004	A56 IS HYDR.MOT. GR2 bypass T15 VNR 4.5 bar	340	6	320	469	19	7.5
FR634220001	A56 IA SETT.GR2	340	—	260	492	18	7.5
FR634220002	A56 IS SETT.GR2	340	—	260	492	18	7.5
FR634220003	A56 IA HYDR.MOT. GR2	340	6	320	492	19	7.5
FR634220004	A56 IS HYDR.MOT. GR2	340	6	320	492	19	7.5

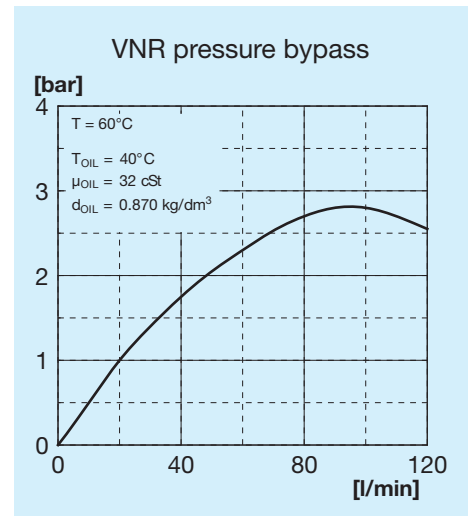
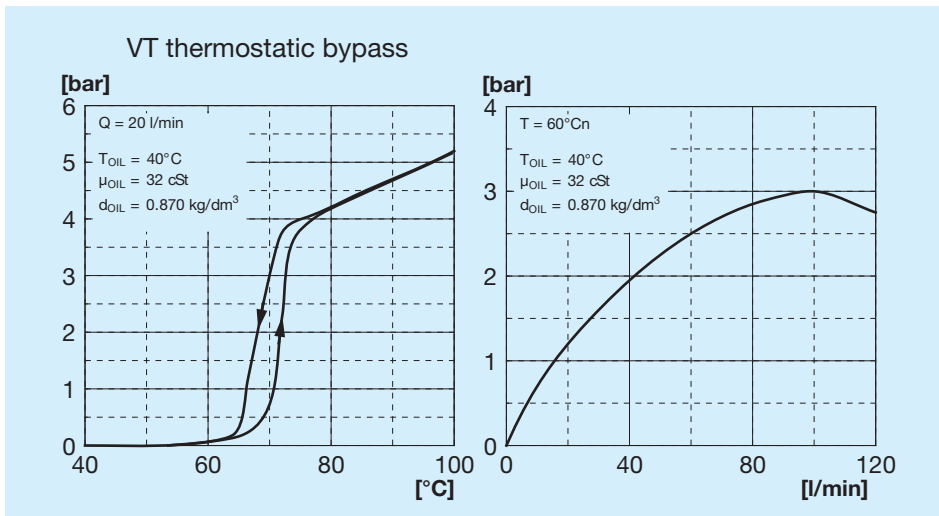
Heat exchange (thermal) capacity



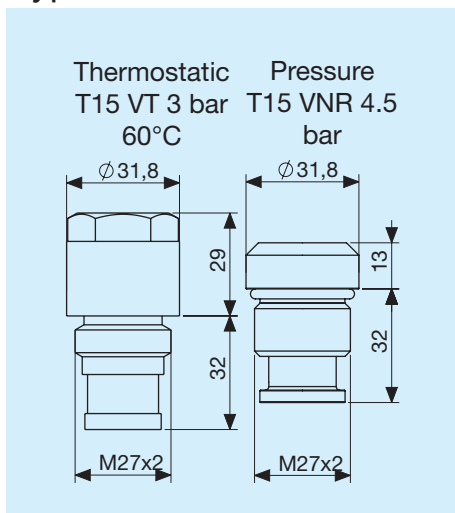
Radiator passage pressure drop



Bypass passage load loss



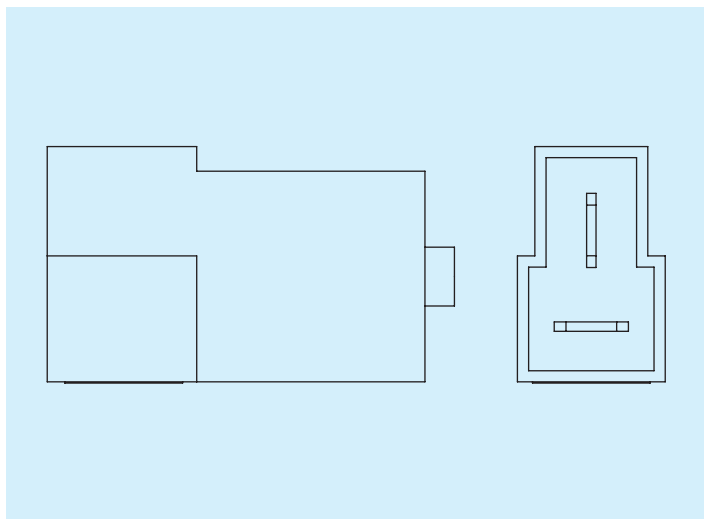
Bypass valves



Legend

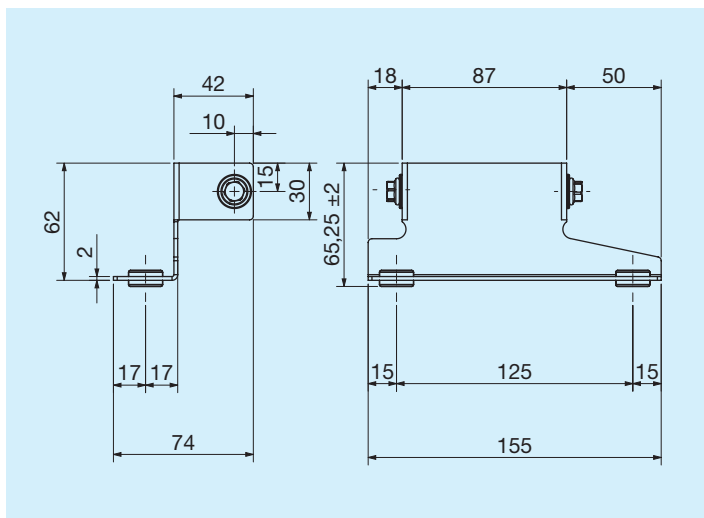
A56	Exchanger type
1E	1 Fan unit
AP	High power aspirating
SP	High power blower
AX	Extra high power aspirating
SX	Extra high power blower
12V	Fan unit voltage
24V	Fan unit voltage
T15 VT	Thermostatic bypass valve 3 bar 60u00b0C
T15 VNR	Pressure bypass valve at 4.5 bar

Connector

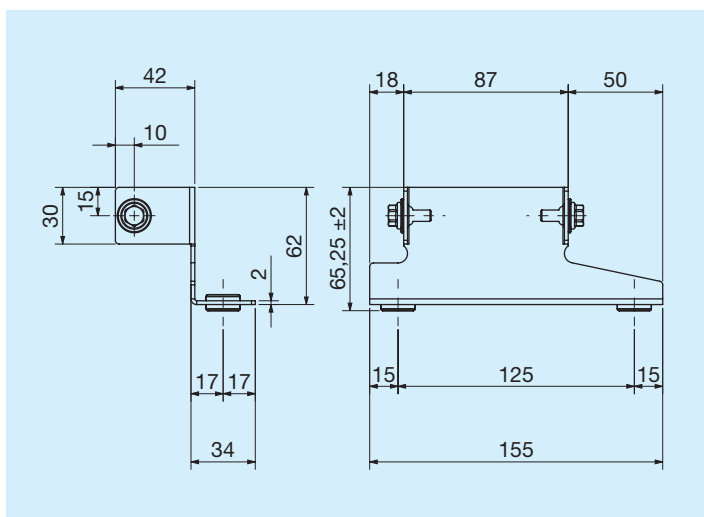


	Code
AMP connector	180908

Left supporting foot

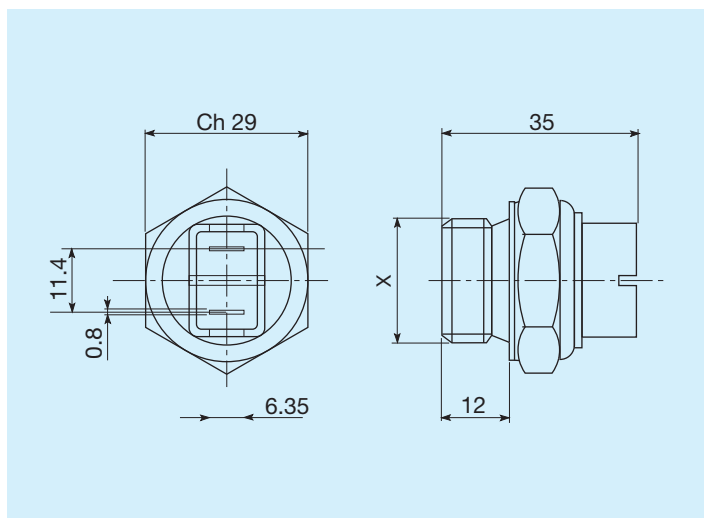


	Code
Left supporting foot	FR290000023



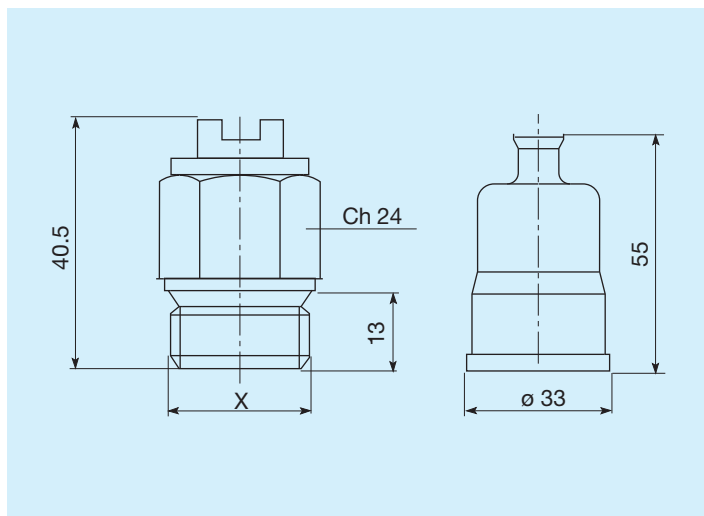
	Code
Right supporting foot	FR290000024

Thermostats



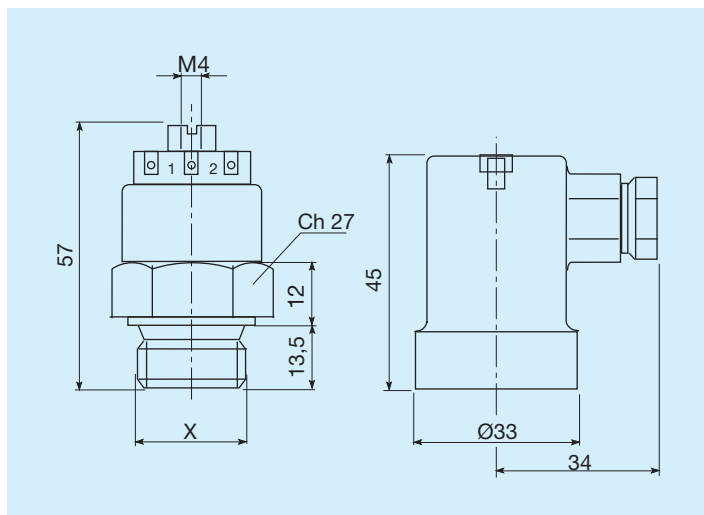
Trigger temperature °C		Code
45 - 35	M22x1.5	FR 361104535
60 - 50	M22x1.5	FR 361106050
80 - 70	M22x1.5	FR 361108070
82 - 68	M22x1.5	FR 361108268
85 - 76	M22x1.5	FR 361108576

IP54 protected thermal switch



Trigger temperature °C		Code
45 - 35	M22x1.5	FR 361124535
50 - 40	M22x1.5	FR 361125040
60 - 50	M22x1.5	FR 361126050
70 - 60	M22x1.5	FR 361127060
80 - 70	M22x1.5	FR 361128070

IP65 protected thermal switch



Trigger temperature °C		Code
45 - 35	M22x1.5	FR 361154535
47 - 36	M22x1.5	FR 361155040
60 - 50	M22x1.5	FR 361156050
80 - 70	M22x1.5	FR 361158070