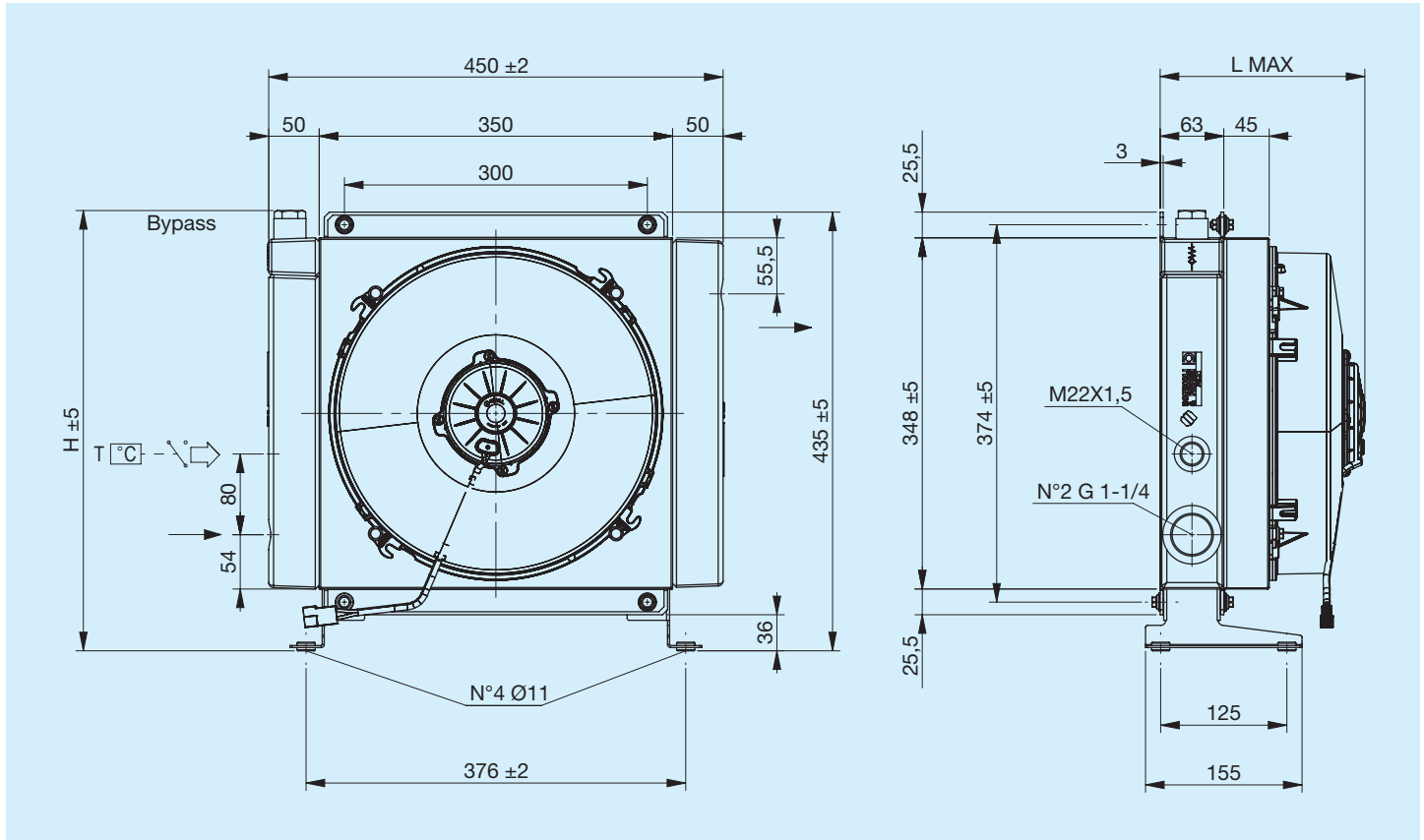


A46

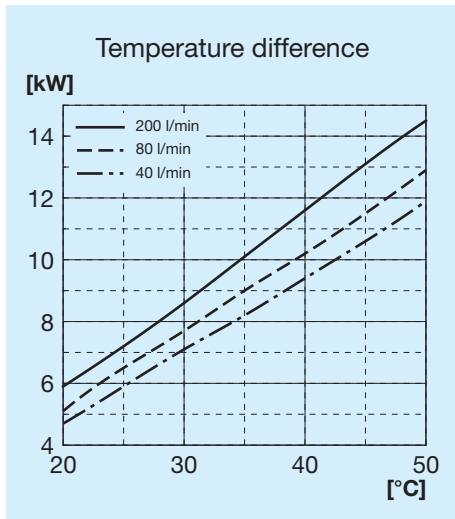


Before using the heat exchanger, carefully read the document entitled GENERAL OPERATING INSTRUCTIONS FOR HEAT EXCHANGER USE

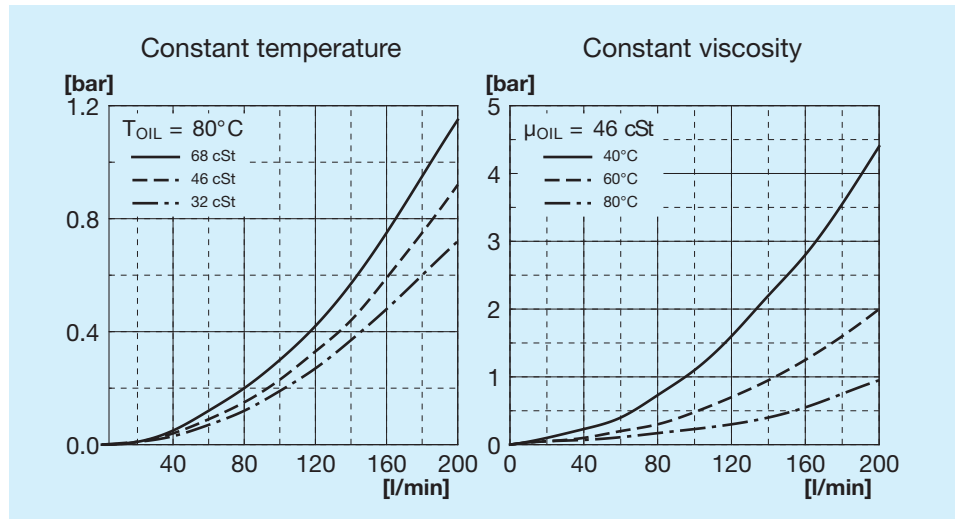


Code	Description	Fan mm	Air flow m³/h	Voltage V	Ampe- rage A	L Max mm	H mm	Weight Kg	Capacity l
FR633203105	A46 1EAX 12V bypass T15 V.T. 3 bar 60°C	305	2750	12	15	210	436	13.5	4
FR633203106	A46 1ESX 12V bypass T15 V.T. 3 bar 60°C	305	2750	12	15	210	436	13.5	4
FR633201005	A46 1EAX 12V bypass T15 VNR 4.5 bar	305	2750	12	15	210	420	13.5	4
FR633201006	A46 1ESX 12V bypass T15 VNR 4.5 bar	305	2750	12	15	210	420	13.5	4
FR633203115	A46 1EAX 24V bypass T15 V.T. 3 bar 60°C	305	2900	24	8.5	210	436	13.5	4
FR633203116	A46 1ESX 24V bypass T15 V.T. 3 bar 60°C	305	2900	24	8.5	210	436	13.5	4
FR633201015	A46 1EAX 24V bypass T15 VNR 4.5 bar	305	2900	24	8.5	210	420	13.5	4
FR633201016	A46 1ESX 24V bypass T15 VNR 4.5 bar	305	2900	24	8.5	210	420	13.5	4
FR633200003	A46 1EAP 12V	305	2080	12	12	180	435	12.5	4
FR633200004	A46 1ESP 12V	305	2080	12	12	180	435	12.5	4
FR633200005	A46 1EAX 12V	305	2750	12	15	210	435	13.5	4
FR633200006	A46 1ESX 12V	305	2750	12	15	210	435	13.5	4
FR633200013	A46 1EAP 24V	305	2060	24	6	180	435	12.5	4
FR633200014	A46 1ESP 24V	305	2060	24	6	180	435	12.5	4
FR633200015	A46 1EAX 24V	305	2900	24	8.5	210	435	13.5	4
FR633200016	A46 1ESX 24V	305	2900	24	8.5	210	435	13.5	4

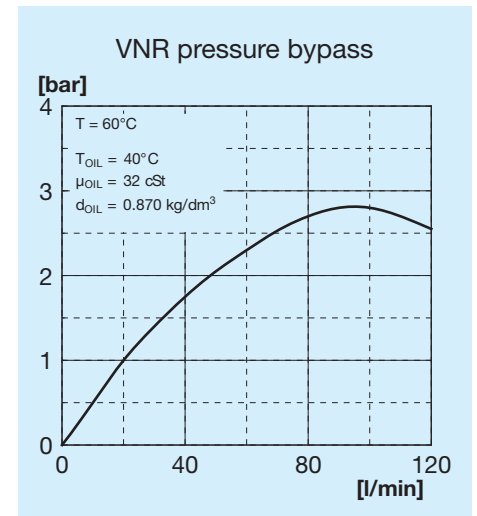
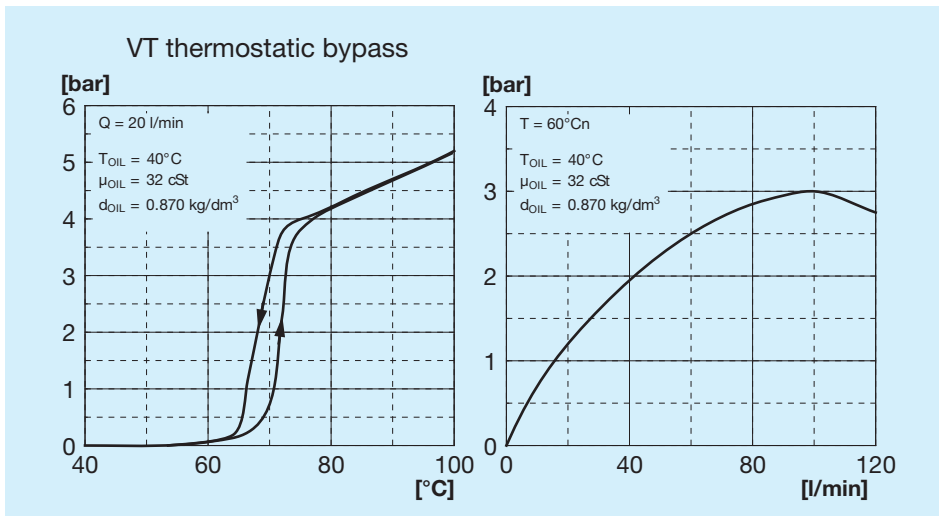
Heat exchange (thermal) capacity



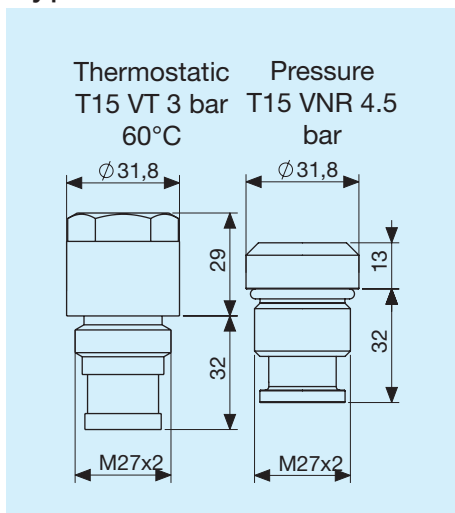
Radiator passage pressure drop



Bypass passage load loss

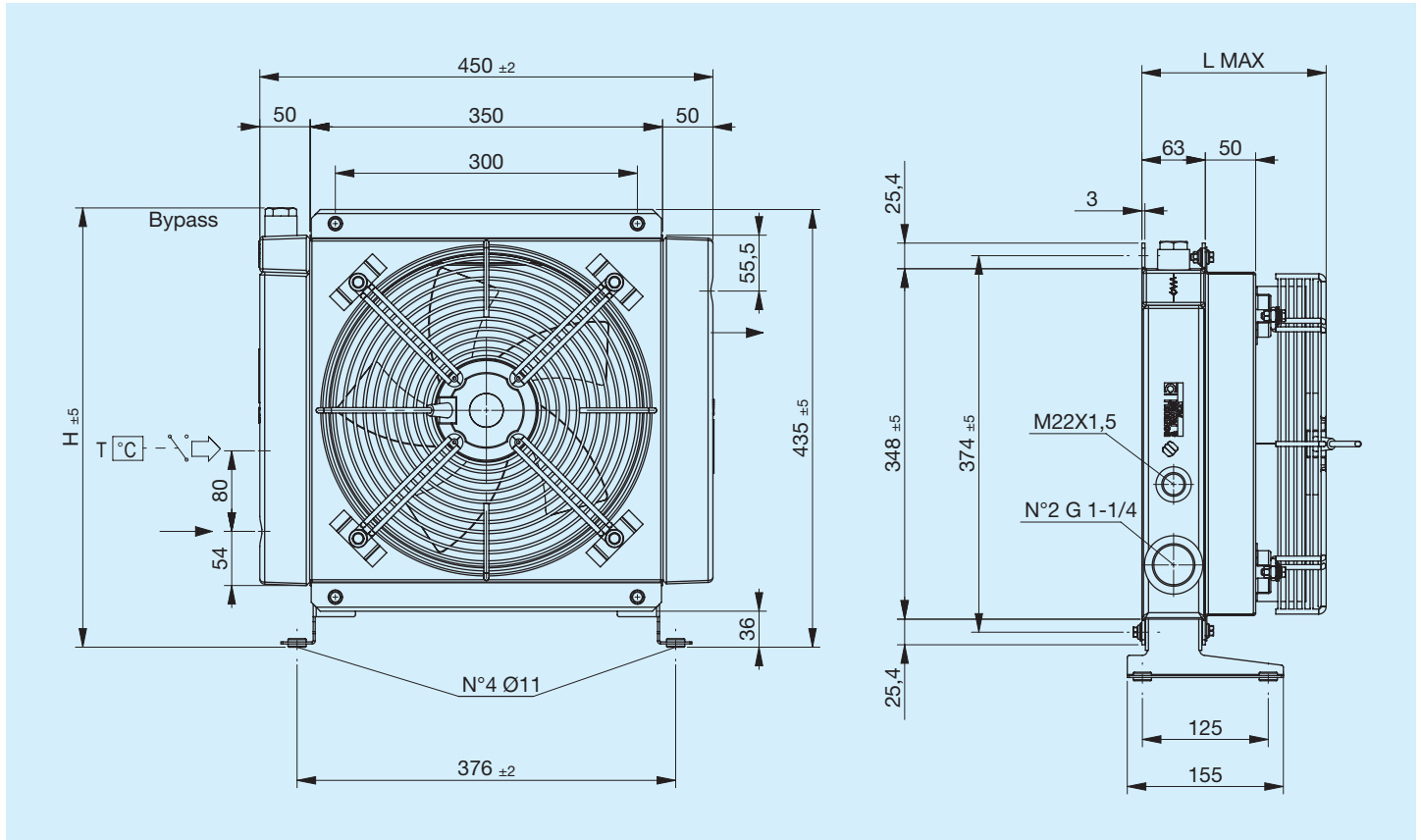


Bypass valves



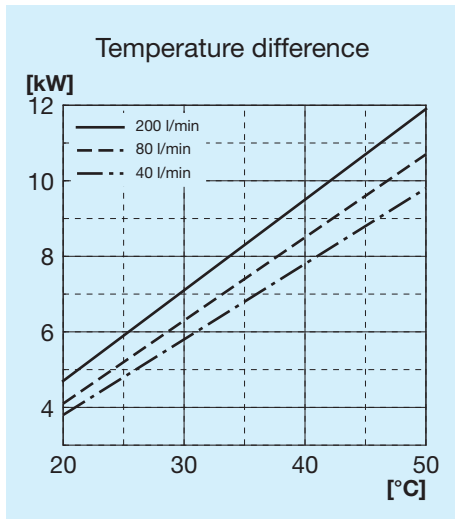
Legend

A22	Exchanger type
1E	1 Fan unit
AP	High power aspirating
SP	High power blower
AX	Extra high power aspirating
SX	Extra high power blower
12V	Fan unit voltage
24V	Fan unit voltage
T15 VT	Thermostatic bypass valve 3 bar 60u00b0C
T15 VNR	Pressure bypass valve at 4.5 bar

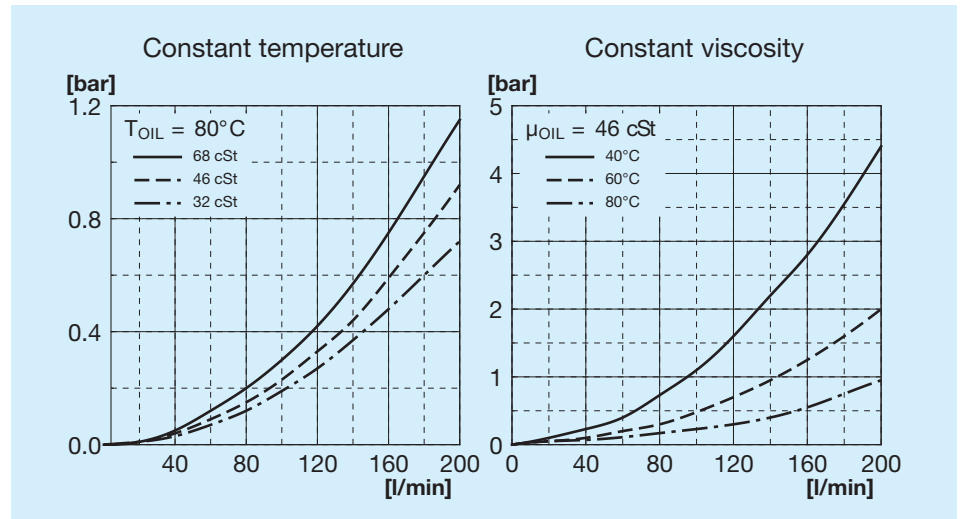


Code	Description	Fan mm	Power W	Frequen- cy Hz	Velocity min ⁻¹	IP Rating	L Max mm	H mm	Weight Kg	Capacity l
FR633203131	A46 1EA 230V bypass T15 V.T. 3 bar 60°C	300	350	50 60	2700 3000	44	183	436	16	4
FR633203132	A46 1ES 230V bypass T15 V.T. 3 bar 60°C	300	350	50 60	2700 3000	44	183	436	16	4
FR633201031	A46 1EA 230V bypass T15 VNR 4.5 bar	300	350	50 60	2700 3000	44	183	420	16	4
FR633201032	A46 1ES 230V bypass T15 VNR 4.5 bar	300	350	50 60	2700 3000	44	183	420	16	4
FR633203121	A46 1EA 400V bypass T15 V.T. 3 bar 60°C	300	350	50 60	2600 2850	44	183	436	16	4
FR633203122	A46 1ES 400V bypass T15 V.T. 3 bar 60°C	300	350	50 60	2600 2850	44	183	436	16	4
FR633201021	A46 1EA 400V bypass T15 VNR 4.5 bar	300	350	50 60	2600 2850	44	183	420	16	4
FR633201022	A46 1ES 400V bypass T15 VNR 4.5 bar	300	350	50 60	2600 2850	44	183	420	16	4
FR633200031	A46 1EA 230V	300	350	50 60	2700 3000	44	183	435	16	4
FR633200032	A46 1ES 230V	300	350	50 60	2700 3000	44	183	435	16	4
FR633200021	A46 1EA 400V	300	350	50 60	2600 2850	44	183	435	16	4
FR633200022	A46 1ES 400V	300	350	50 60	2600 2850	44	183	435	16	4

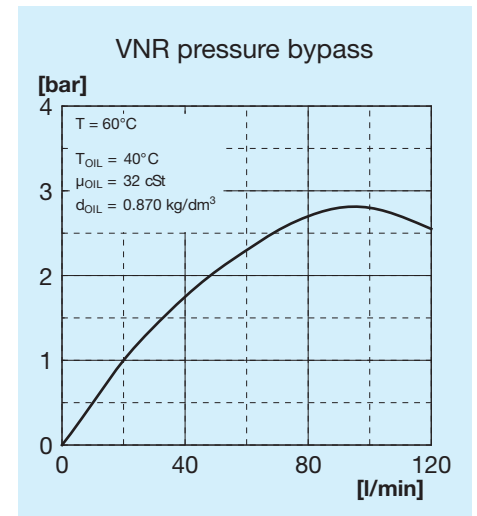
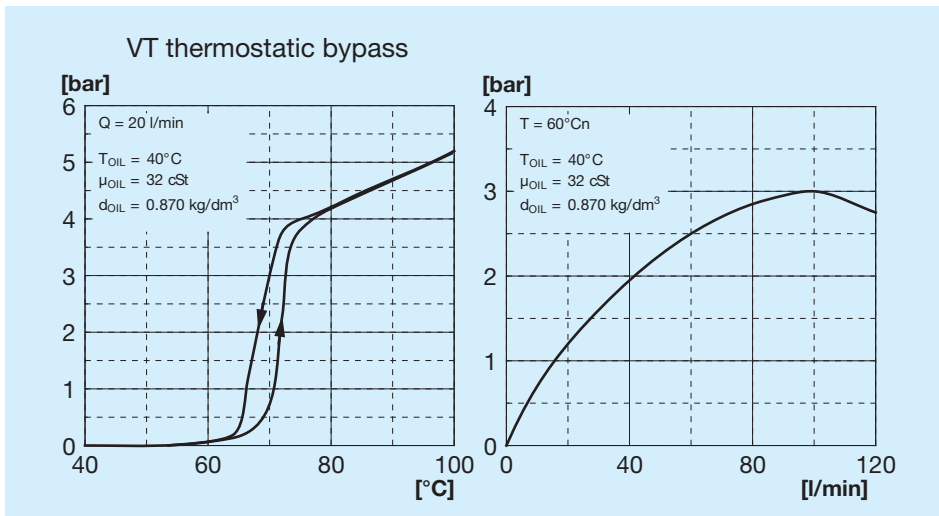
Heat exchange (thermal) capacity



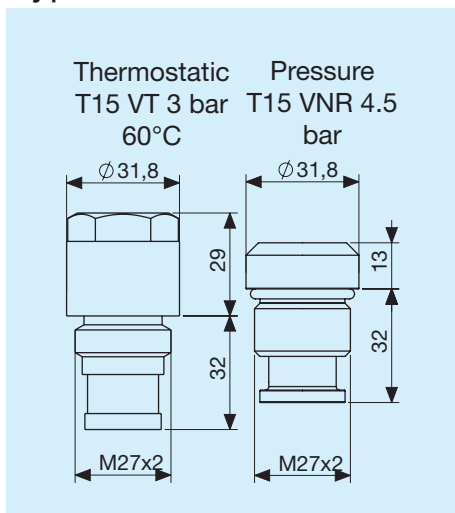
Radiator passage pressure drop



Bypass passage load loss

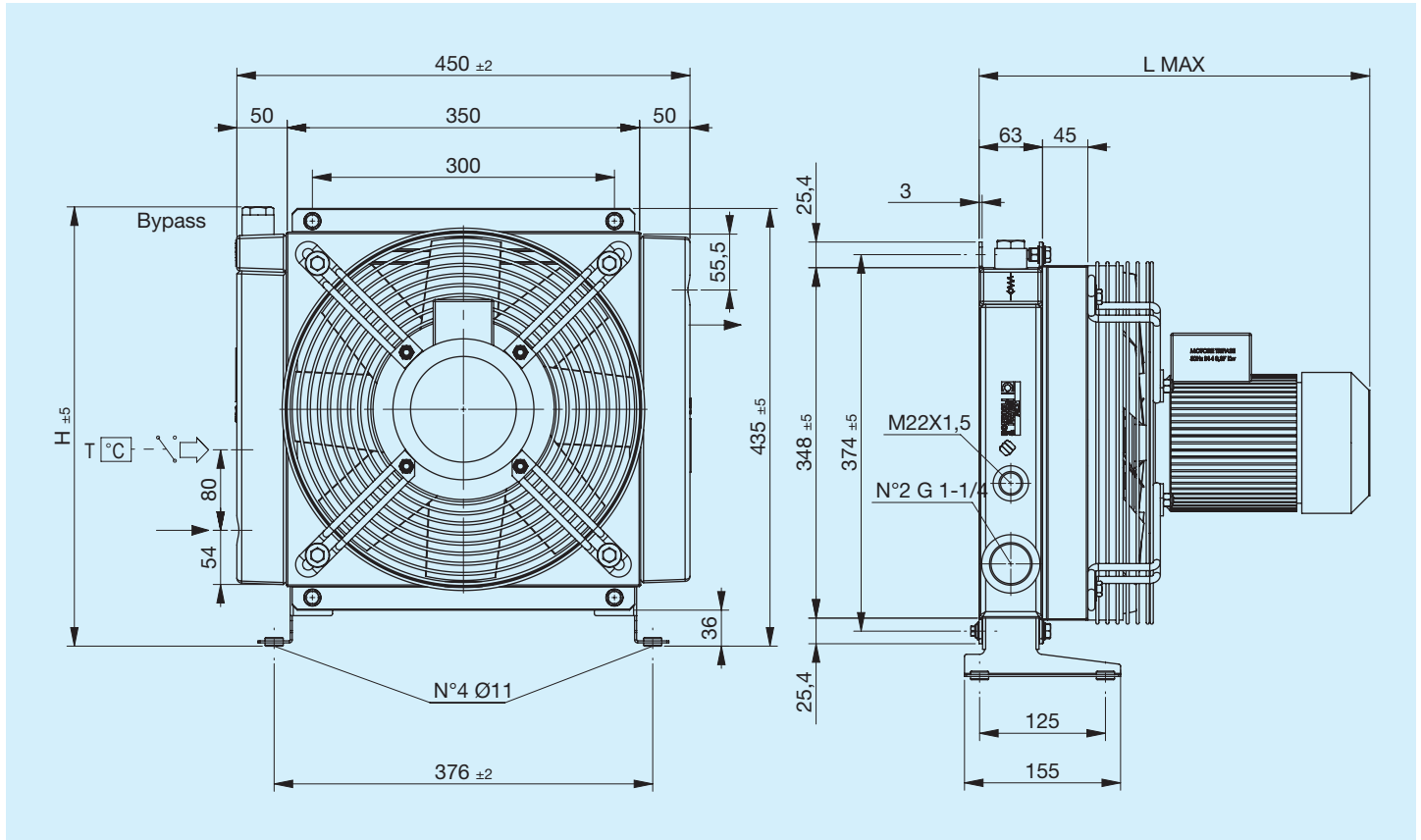


Bypass valves



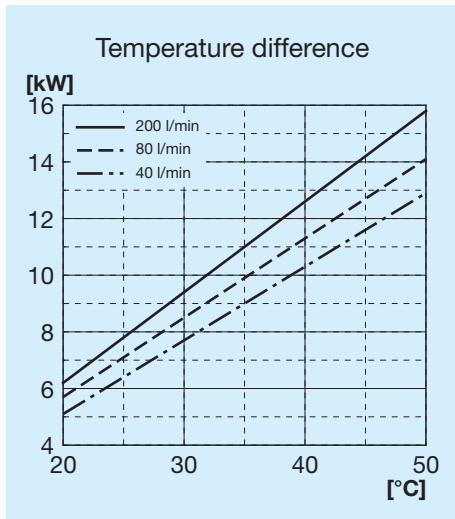
Legend

A22	Exchanger type
1E	1 Fan unit
AP	High power aspirating
SP	High power blower
AX	Extra high power aspirating
SX	Extra high power blower
12V	Fan unit voltage
24V	Fan unit voltage
T15 VT	Thermostatic bypass valve 3 bar 60u00b0C
T15 VNR	Pressure bypass valve at 4.5 bar

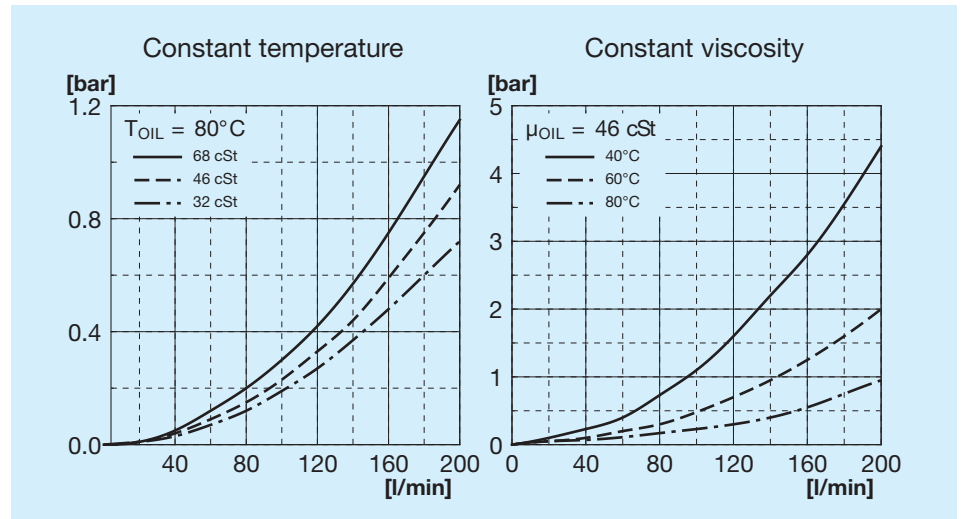


Code	Description	Fan mm	Power W	Frequen- cy Hz	Velocity min ⁻¹	IP Rating	L Max mm	H mm	Weight Kg	Capacity l
FR633203141	A46 1EA 220V-B14 bypass T15 V.T. 3 bar 60°C	340	370	50	2790	65	388	436	20.5	4
FR633201041	A46 1EA 220V-B14 bypass T15 VNR 4.5 bar	340	370	50	2790	65	388	420	20.5	4
FR633203151	A46 1EA 380V-B14 bypass T15 V.T. 3 bar 60°C	340	370	50	2790	65	388	436	20.5	4
FR633203152	A46 1ES 380V-B14 bypass T15 V.T. 3 bar 60°C	340	370	50	2790	65	388	436	20.5	4
FR633201051	A46 1EA 380V-B14 bypass T15 VNR 4.5 bar	340	370	50	2790	65	388	420	20.5	4
FR633201052	A46 1ES 380V-B14 bypass T15 VNR 4.5 bar	340	370	50	2790	65	388	420	20.5	4
FR633200041	A46 1EA 220V-B14	340	370	50	2790	65	388	435	20.5	4
FR633200042	A46 1ES 220V-B14	340	370	50	2790	65	388	435	20.5	4
FR633200051	A46 1EA 380V-B14	340	370	50	2790	65	388	435	20.5	4
FR633200052	A46 1ES 380V-B14	340	370	50	2790	65	388	435	20.5	4

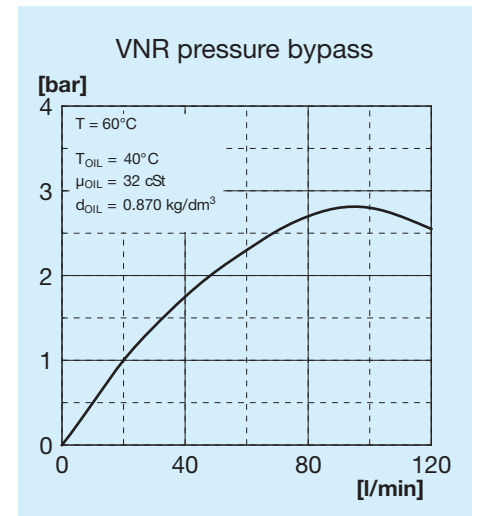
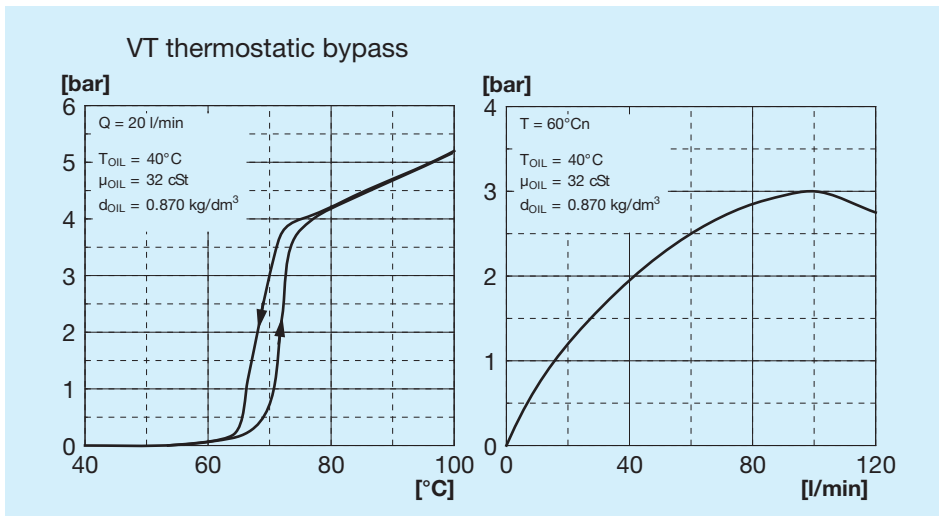
Heat exchange (thermal) capacity



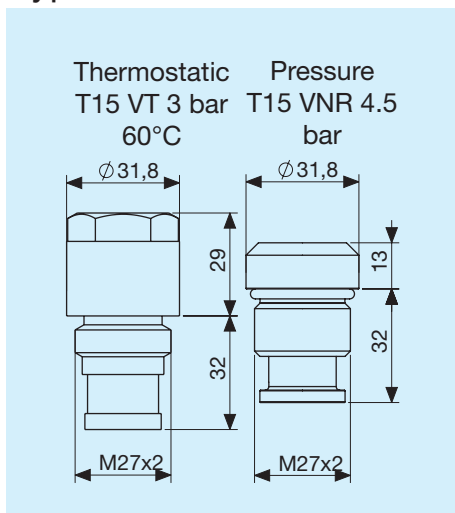
Radiator passage pressure drop



Bypass passage load loss

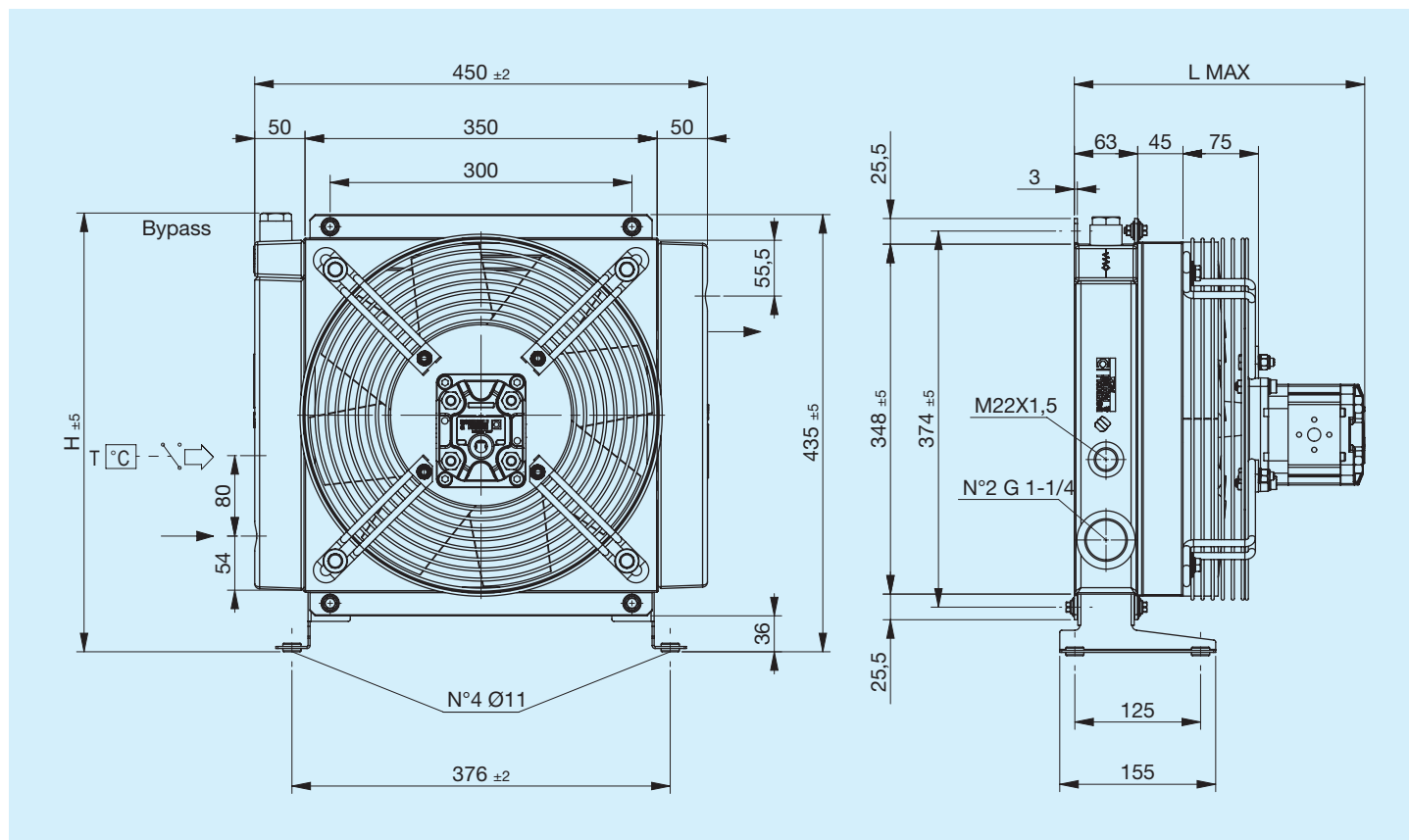


Bypass valves



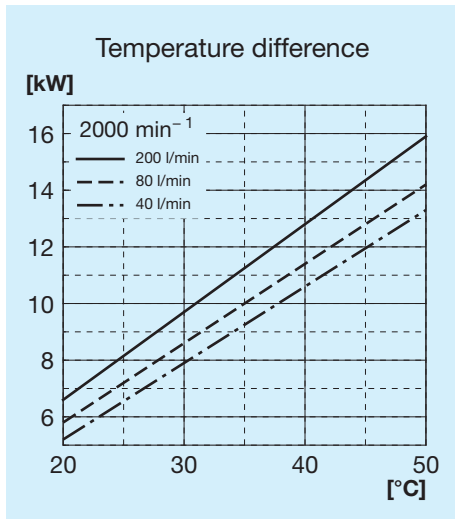
Legend

A22	Exchanger type
1E	1 Fan unit
AP	High power aspirating
SP	High power blower
AX	Extra high power aspirating
SX	Extra high power blower
12V	Fan unit voltage
24V	Fan unit voltage
T15 VT	Thermostatic bypass valve 3 bar 60u00b0C
T15 VNR	Pressure bypass valve at 4.5 bar

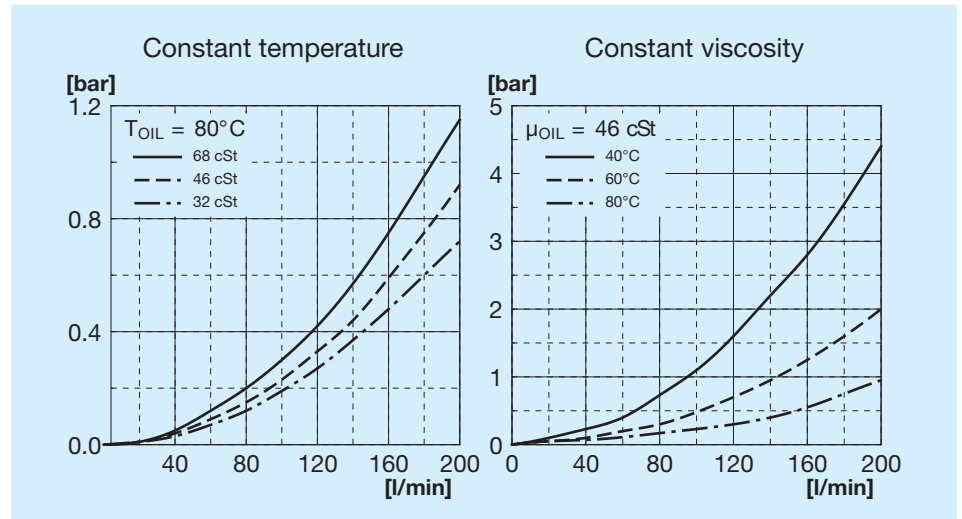


Code	Description	Fan mm	Displacement motors cm ³ /h	L Max mm	H mm	Weight Kg	Capacity l
FR634203101	A46 IA SETT.GR2 bypass T15 V.T. 3 bar 60°C	340	—	225	436	14	4
FR634203102	A46 IS SETT.GR2 bypass T15 V.T. 3 bar 60°C	340	—	225	436	14	4
FR634201001	A46 IA SETT.GR2 bypass T15 VNR 4.5 bar	340	—	225	420	14	4
FR634201002	A46 IS SETT.GR2 bypass T15 VNR 4.5 bar	340	—	225	420	14	4
FR634203103	A46 IA HYDR.MOT. GR2 bypass T15 V.T. 3 bar 60°C	340	6	285	436	15	4
FR634203104	A46 IS HYDR.MOT. GR2 bypass T15 V.T. 3 bar 60°C	340	6	285	436	15	4
FR634201003	A46 IA HYDR.MOT. GR2 bypass T15 VNR 4.5 bar	340	6	285	420	15	4
FR634201004	A46 IS HYDR.MOT. GR2 bypass T15 VNR 4.5 bar	340	6	285	420	15	4
FR634200001	A46 IA SETT.GR2	340	—	225	435	14	4
FR634200002	A46 IS SETT.GR2	340	—	225	435	14	4
FR634200003	A46 IA HYDR.MOT. GR2	340	6	285	435	15	4
FR634200004	A46 IS HYDR.MOT. GR2	340	6	285	435	15	4

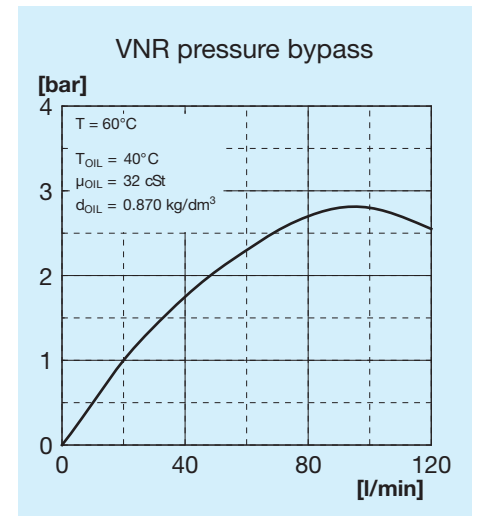
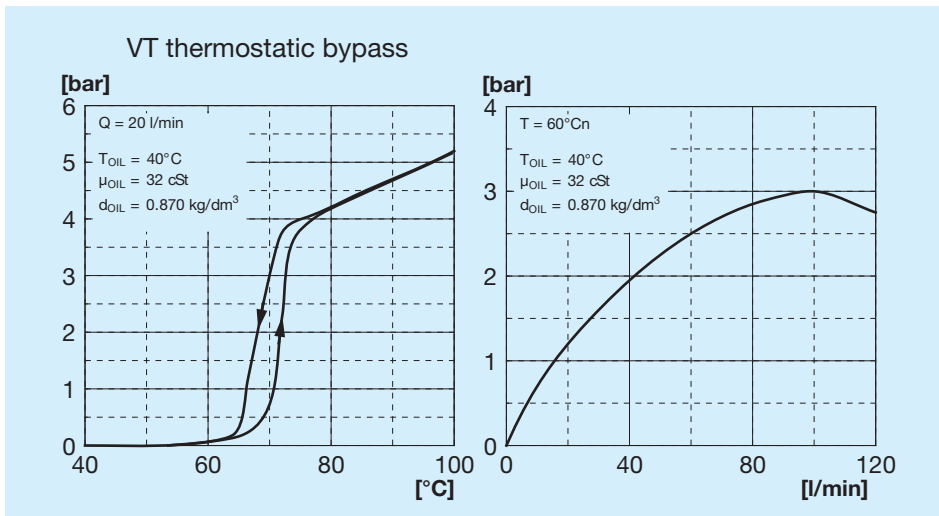
Heat exchange (thermal) capacity



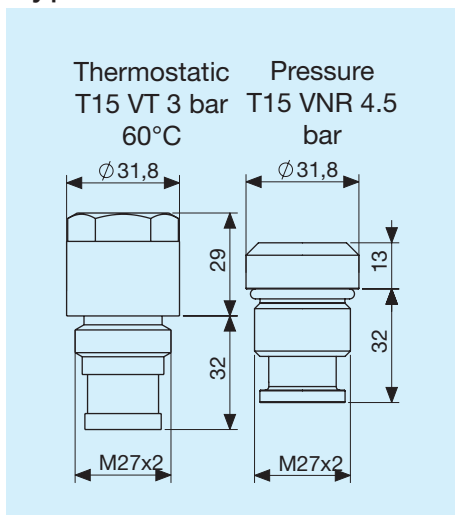
Radiator passage pressure drop



Bypass passage load loss



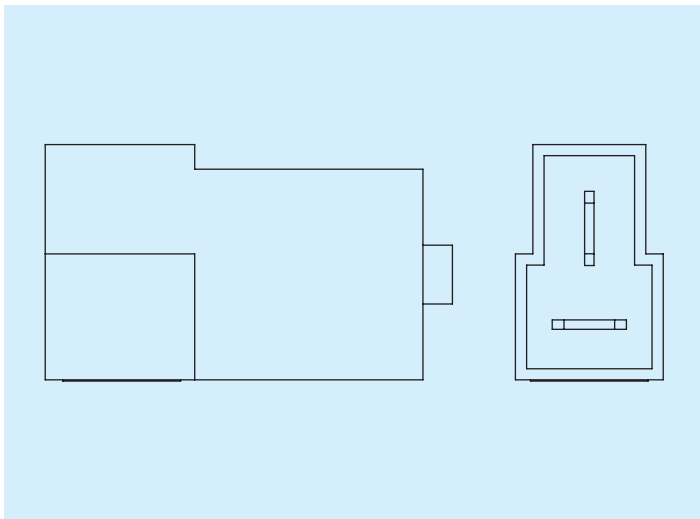
Bypass valves



Legend

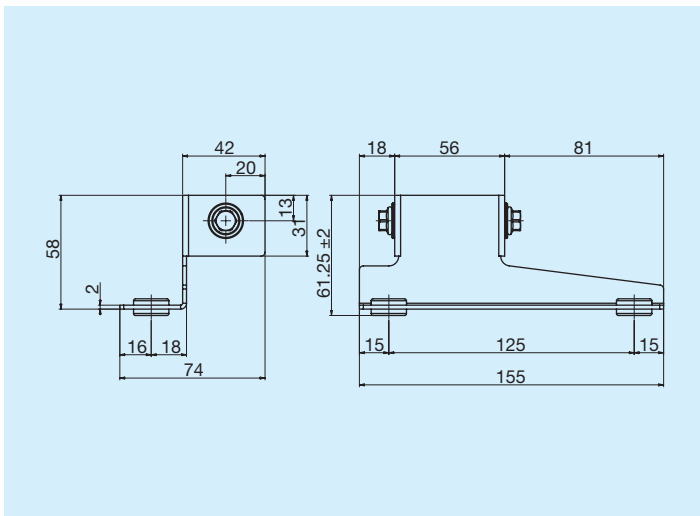
A22	Exchanger type
1E	1 Fan unit
AP	High power aspirating
SP	High power blower
AX	Extra high power aspirating
SX	Extra high power blower
12V	Fan unit voltage
24V	Fan unit voltage
T15 VT	Thermostatic bypass valve 3 bar 60u00b0C
T15 VNR	Pressure bypass valve at 4.5 bar

Connector

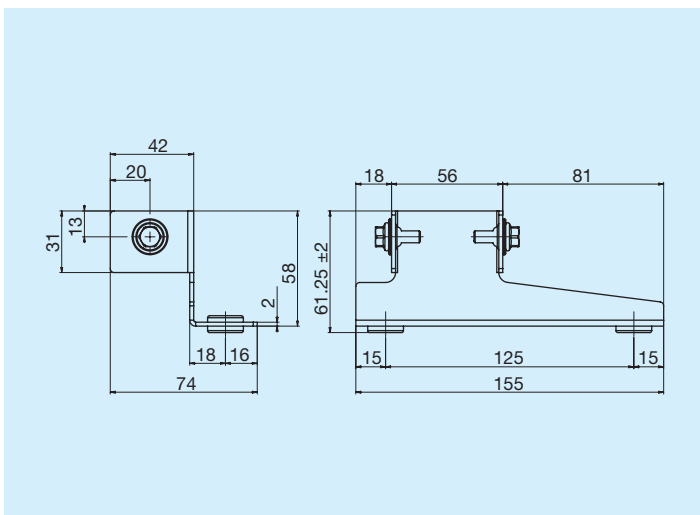


	Code
AMP connector	180908

Left supporting foot

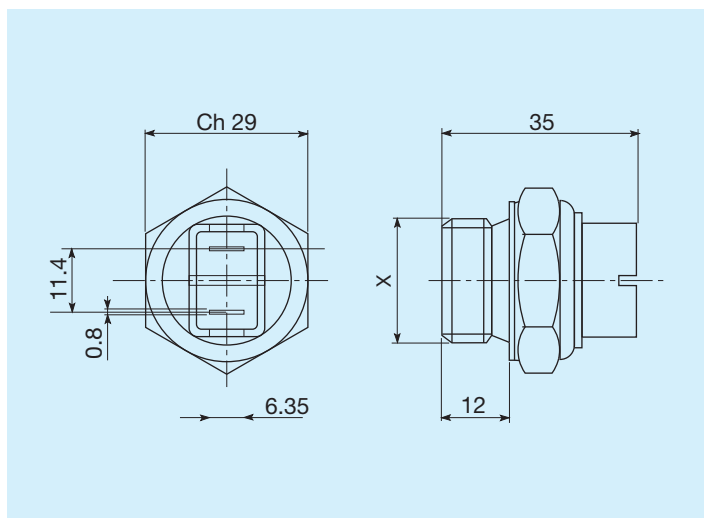


	Code
Left supporting foot	FR290000011



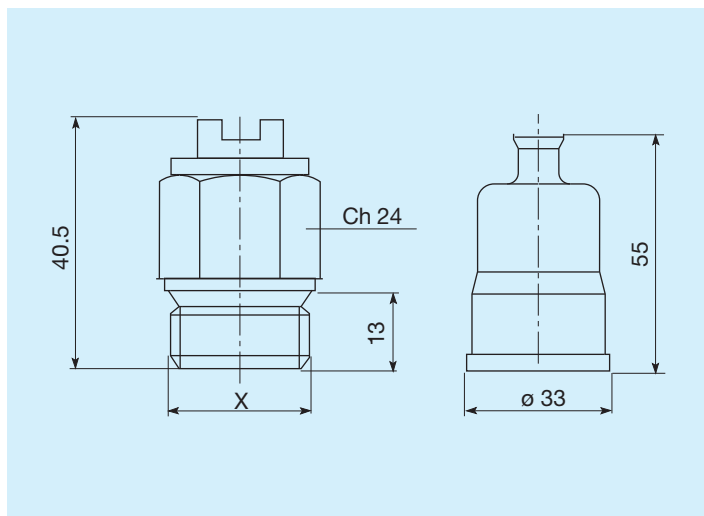
	Code
Right supporting foot	FR290000012

Thermostats



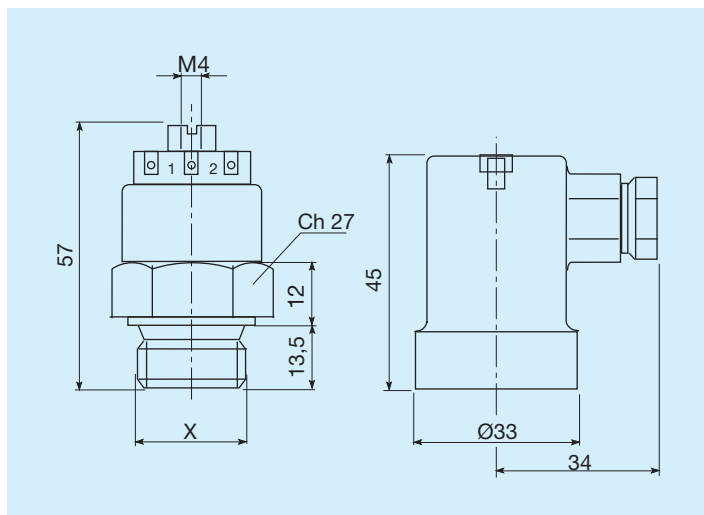
Trigger temperature °C		Code
45 - 35	M22x1.5	FR 361104535
60 - 50	M22x1.5	FR 361106050
80 - 70	M22x1.5	FR 361108070
82 - 68	M22x1.5	FR 361108268
85 - 76	M22x1.5	FR 361108576

IP54 protected thermal switch



Trigger temperature °C		Code
45 - 35	M22x1.5	FR 361124535
50 - 40	M22x1.5	FR 361125040
60 - 50	M22x1.5	FR 361126050
70 - 60	M22x1.5	FR 361127060
80 - 70	M22x1.5	FR 361128070

IP65 protected thermal switch



Trigger temperature °C		Code
45 - 35	M22x1.5	FR 361154535
47 - 36	M22x1.5	FR 361155040
60 - 50	M22x1.5	FR 361156050
80 - 70	M22x1.5	FR 361158070