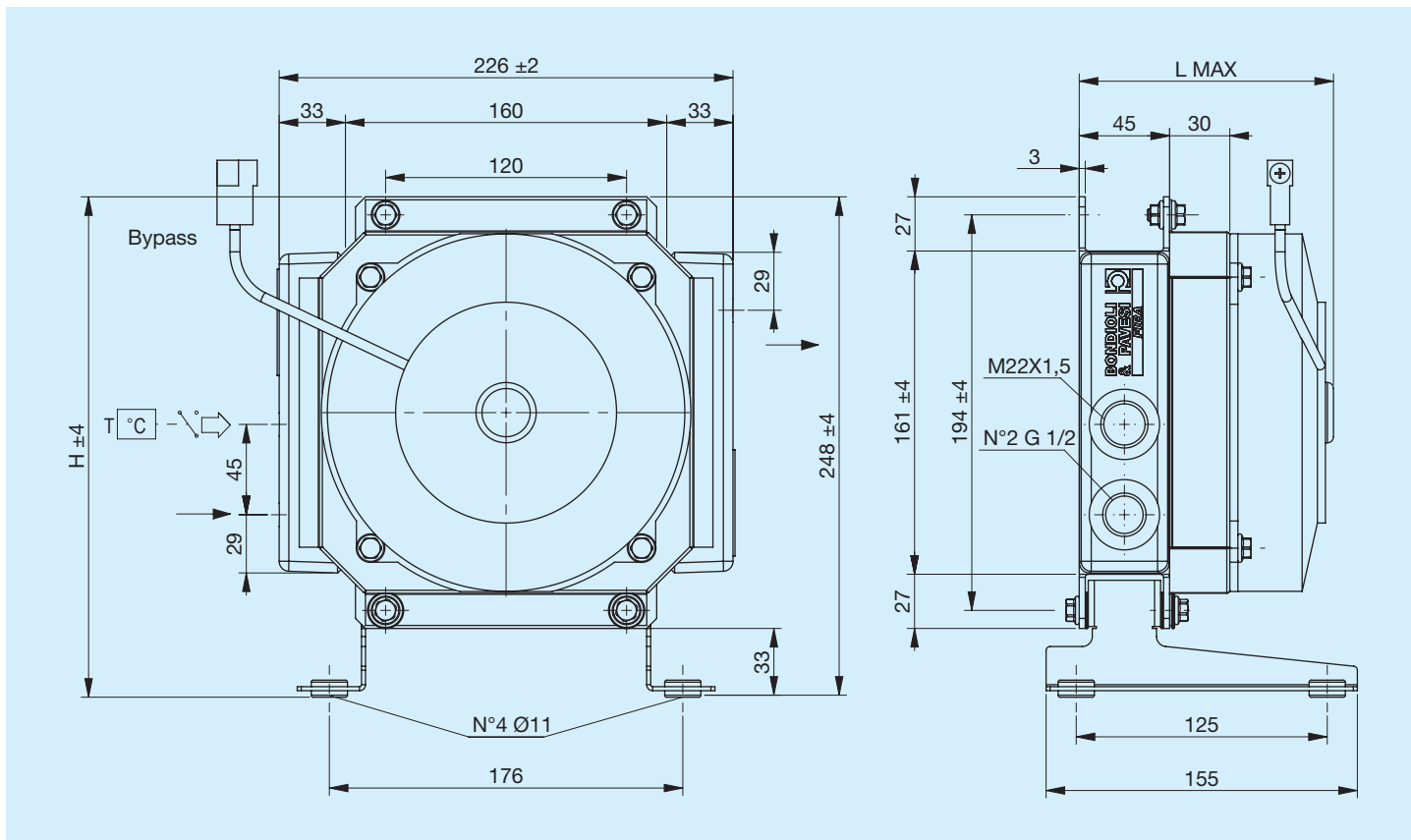


A10

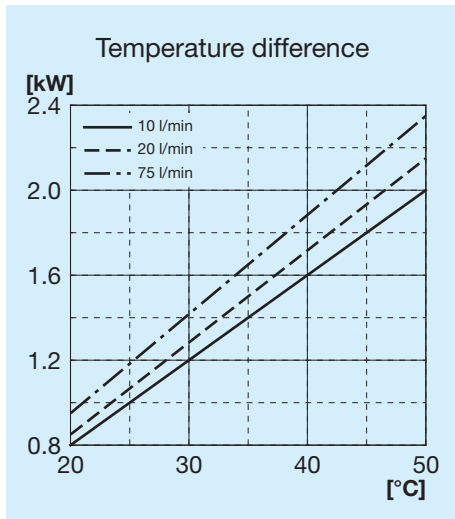


Before using the heat exchanger, carefully read the document entitled GENERAL OPERATING INSTRUCTIONS FOR HEAT EXCHANGER USE

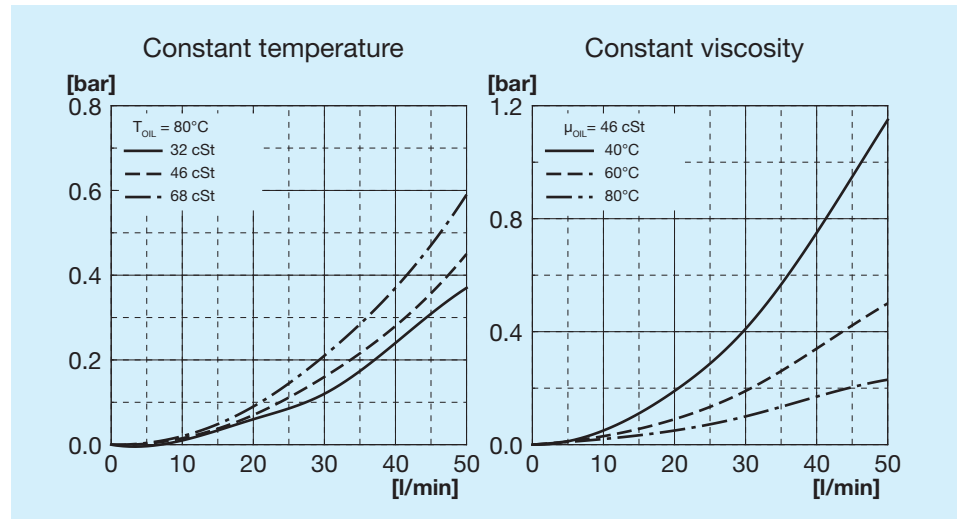


Code	Description	Ø Fan mm	Air flow l	Voltage V	Amperage A	L Max mm	H mm	Weight Kg	Capacity l
FR633010001	A10 1EA 12V	167	550	12	6.3	130	248	2.6	0.7
FR633010002	A10 1ES 12V	167	550	12	6.3	130	248	2.6	0.7
FR633010013	A10 1EA 24V	167	550	24	3.2	130	248	2.6	0.7
FR633010014	A10 1ES 24V	167	550	24	3.2	130	248	2.6	0.7

Heat exchange (thermal) capacity



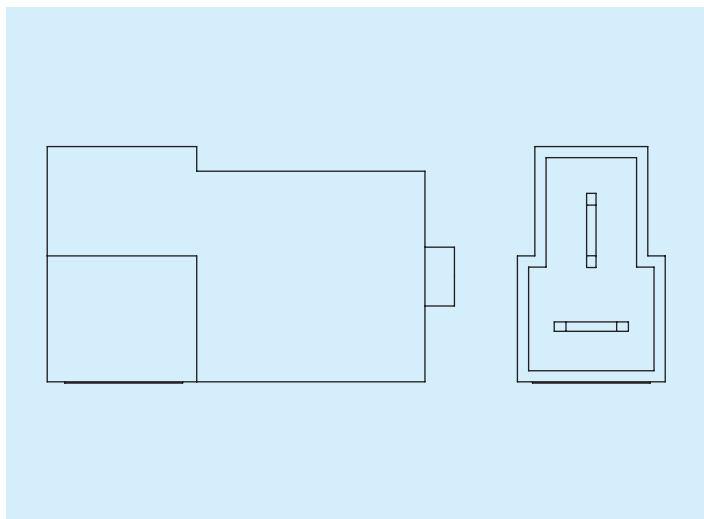
Radiator passage pressure drop



Legend

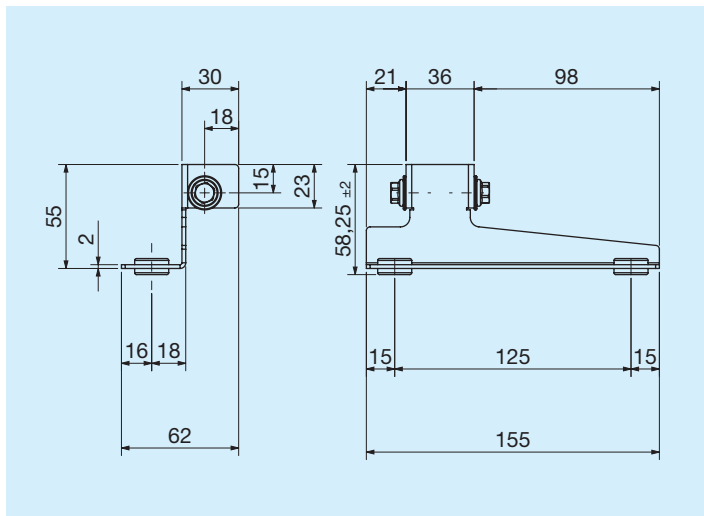
A10	Exchanger type
1E	1 Fan unit
AP	High power aspirating
SP	High power blower
AX	Extra high power aspirating
SX	Extra high power blower
12V	Fan unit voltage
24V	Fan unit voltage
T15 VT	Thermostatic bypass valve 3 bar 60°C
T15 VNR	Pressure bypass valve at 4.5 bar

Connector

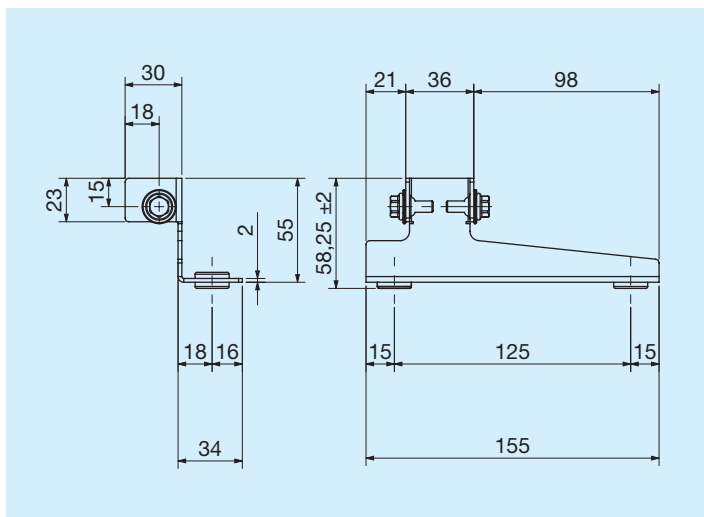


	Code
AMP connector	180908

Left supporting foot

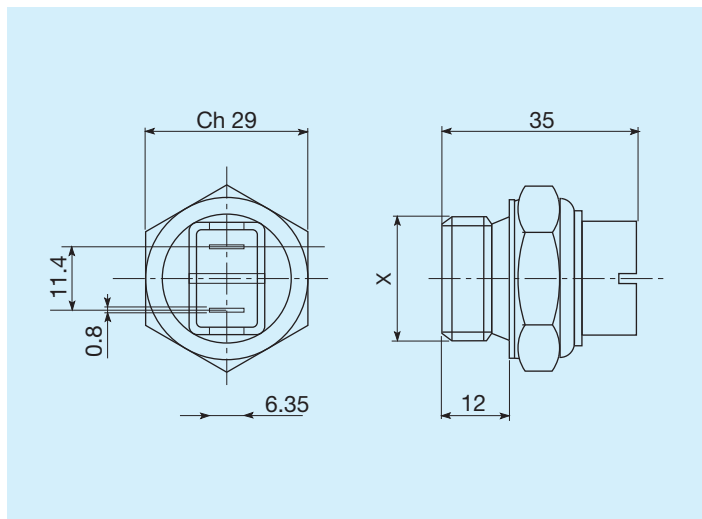


	Code
Left supporting foot	FR290000019



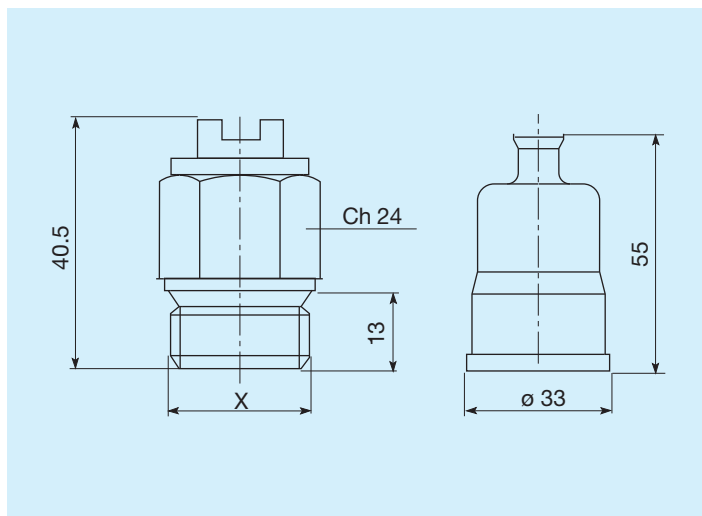
	Code
Right supporting foot	FR290000020

Thermostats



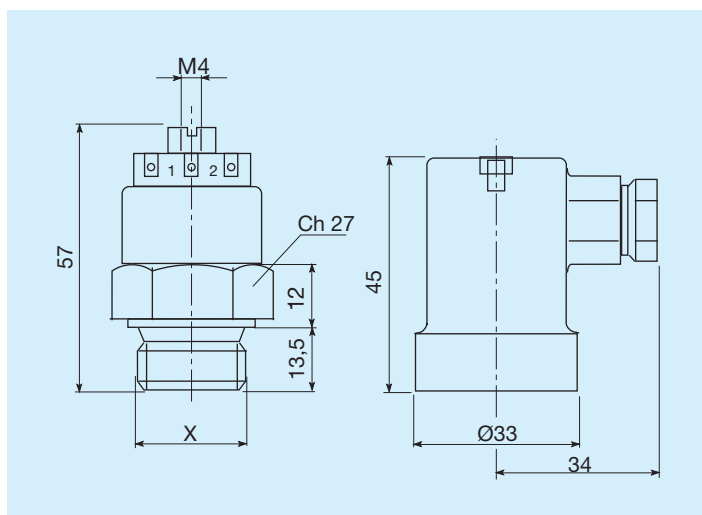
Trigger temperature °C		Code
45 - 35	M22x1.5	FR 361104535
60 - 50	M22x1.5	FR 361106050
80 - 70	M22x1.5	FR 361108070
82 - 68	M22x1.5	FR 361108268
85 - 76	M22x1.5	FR 361108576

IP54 protected thermal switch



Trigger temperature °C		Code
45 - 35	M22x1.5	FR 361124535
50 - 40	M22x1.5	FR 361125040
60 - 50	M22x1.5	FR 361126050
70 - 60	M22x1.5	FR 361127060
80 - 70	M22x1.5	FR 361128070

IP65 protected thermal switch



Trigger temperature °C		Code
45 - 35	M22x1.5	FR 361154535
47 - 36	M22x1.5	FR 361155040
60 - 50	M22x1.5	FR 361156050
80 - 70	M22x1.5	FR 361158070