

MSUD VALVE PLUG FORM A 18MM

PUR 3X0.75 GRAY, UL/CSA, drag ch 1.5m

MSUD

Form A (18 mm)

24 V AC $\pm 20\%$ / DC $\pm 25\%$

LED and suppression

Bridged PE

Further cable lengths on request.

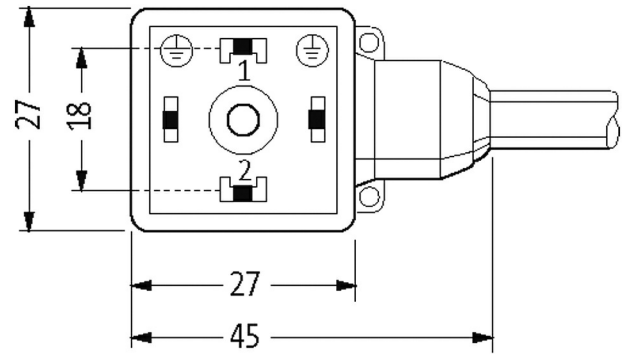
Plastic housings with good resistance against chemicals and oils.

The resistance to aggressive media should be individually tested for your application. Further details on request.

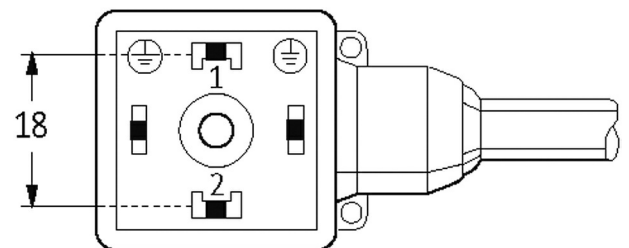
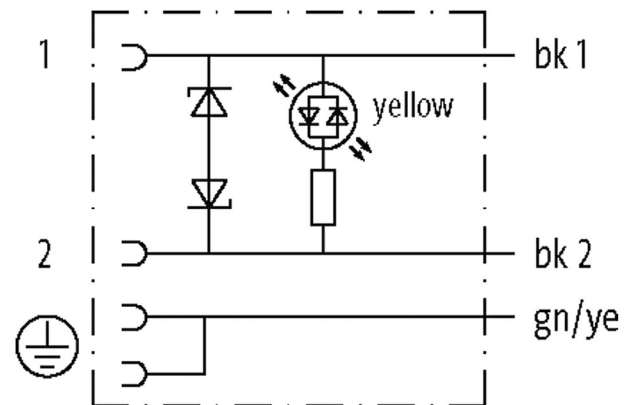
[Link til produkt](#)

Illustrasjon

stay connected



Height: 30 mm



Produktet kan avvike fra bildet

Godkjenninger

cCSAus

* only for products with UL/GSA approved cable

Form

Form

18021

| Cables | |
|------------------------------------|--|
| No./diameter of wires | 3× 0.75 mm ² |
| Wire isolation | PP (bk num, gnye) |
| C-track properties | 10 Mio. |
| Material (jacket) | PUR (UL/CSA) |
| Outer Ø | 5.9 mm ±5% |
| Bend radius (moving) | 10× outer Ø |
| Temperature range (fixed) | -40...+80 °C |
| Temperature range (mobile) | -25...+80 °C |
| Cable identification | 236 |
| Cable Type | 3 (PUR) |
| Approval (cable) | cURus (AWM-Style 20549/10493); CE conform |
| Cable weight [g/m] | 56,10 |
| Material (wire) | Cu wire, bare |
| Resistor (core) | max. 26 Ω/km (20 °C) |
| Single wire Ø (core) | 0.15 mm |
| Construction (core) | 42× 0.15 mm (multi-strand wire class 6) |
| Diameter (core) | 3× 0.75 mm ² |
| AWG | similar to AWG 18 |
| Material (wire isolation) | PP |
| Material property (wire isolation) | CFC-, halogen-, cadmium-, silicone- and lead-free |
| Shore hardness (wire isolation) | 70 ±5 D |
| Wire-Ø incl. isolation | 1.85 mm ±5% |
| Color/numbering of wires | bk numbered, gnye longitudinally striped |
| Stranding combination | 3 wires twisted |
| Shield | no |
| Material (jacket) | PUR |
| Material property (jacket) | CFC-, halogen-, cadmium-, silicone- and lead-free, matt, low-adhesion, machine easy to process, abrasion-resistant, hydrolysis and microbial resistant |
| Shore hardness (jacket) | 90 ±5 A |
| Outer-Ø (jacket) | 5.9 mm ±5% |
| Color (jacket) | gray |
| chemical resistance | good resistance to oil, gasoline and chemicals (EN 60811-404) |
| thermal resistance | flame retardant UL 1581 VW1 / CSA FT1 / IEC 60332-1, IEC 60332-2-2 |
| Nominal voltage | 300 V AC |
| Test voltage | 2500 V AC |
| Current load capacity | to DIN VDE 0298-4 |
| Temperature range (fixed) | -40...+80 °C, (+90 °C at max. 10 000 operating hours) |
| Temperature range (mobile) | -25...+80 °C, (+90 °C at max. 10 000 operating hours) |
| Bend radius (fixed) | 5× outer Ø |
| Bend radius (moving) | 10× outer Ø |
| No. of bending cycles (C-track) | max. 10 Mio. (25 °C) |
| Travel speed (C-track) | max. 3 m/s |
| Acceleration (C-track) | max. 10 m/s ² |
| Torsion stress | ±180°/m |
| No. of torsion cycles | max. 2 Mio. (25 °C) |
| Torsion speed | 35 cycles/min |
| Jacket Color | gray |
| Technical Data | |
| Operating voltage | 24 V AC ±20% / DC ±25% |
| Rated surge voltage | 0.8 kV |

| | |
|-------------------------------|--|
| Operating current per contact | max. 4 A |
| Current consumption | max. 15 mA |
| Material group | IEC 60664-1, category I |
| Switch off peak | max. 55 V |
| Switch off delay time | max. 20 ms |
| LED display | yellow |
| Locking of ports | M3 (recommended torque 0.4 Nm) |
| Protection | IP67 inserted and tightened (EN 60529) |
| Locking material | Steel (galvanized) |
| Material | PBT |
| Housing | Black plastic (gray on request) |
| Additional suppressor | Diode/Z-Diode |

General data

| | |
|-------------------|--|
| Pollution Degree | 3 |
| Material (gasket) | PUR |
| Temperature range | -25...+85 °C, depending on cable quality |

Handelsinformasjon

| | |
|------------------|---------------|
| EAN | 4048879194044 |
| eClass | 27279218 |
| Opprinnelsesland | CZ |
| Pakkestørrelse | 1 |
| Tolltariffnummer | 85444290 |