

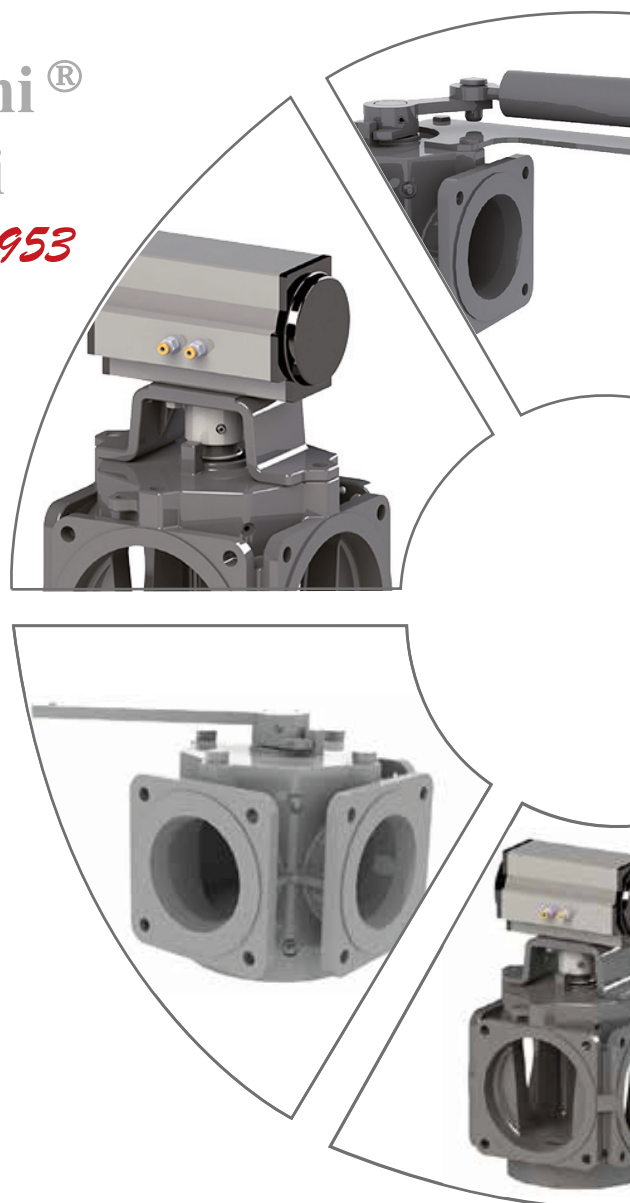
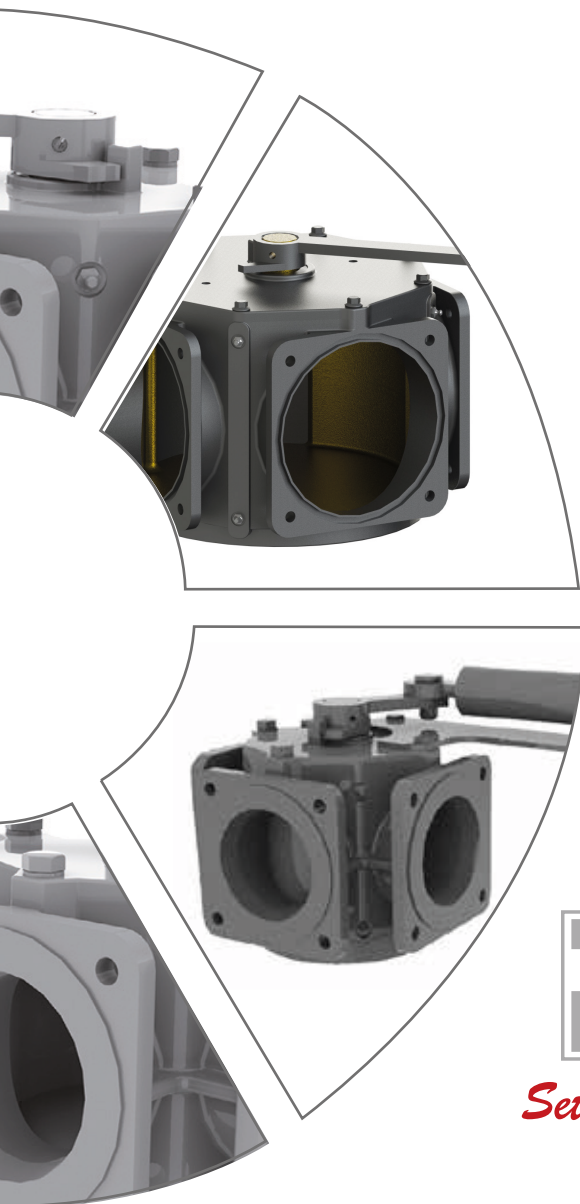
3/4 - WAY VALVES

Technical catalogue
Catalogo tecnico
Technischer Katalog



Battioni®
Pagani

Setting the pace since 1953



3/4 - WAY VALVES

RUBINETTI 3/4 VIE
3/4 - WEGE HÄHNE

NEW



3 WAY VALVE - 8"

Ø 200 HYDRAULIC DIAMETER
LIQUID PASSAGE WITHOUT PRESSURE LOSSES
BRASS CONE SELF-LUBRICATING
HIGH WEARING RESISTANCE THANKS TO CAST-IRON WITH HIGH HARDNESS

RUBINETTO 3 VIE - 8"

DIAMETRO IDRAULICO Ø 200
PASSAGGIO IDRAULICO SENZA PERDITE DI CARICO
CONO IN OTTONE AUTOLUBRIFICANTE
ELEVATA RESISTENZA AD USURA GRAZIE A GHISA AD ALTA RESISTENZA

3 WEGE HÄHNE - 8"

HYDRAULISCHER DURCHMESSER Ø 200
FLÜSSIGKEITSDURCHGANG OHNE DRUCKVERLUSTE
MESSING-KONUS SELBSTSCHMIER
HOHE FESTIGKEIT ZU ABNUTZUNG FÜR GUSSEISEN
MIT HOHE HÄRTE

3/4 - WAY VALVE WITH LEVER



FEATURES

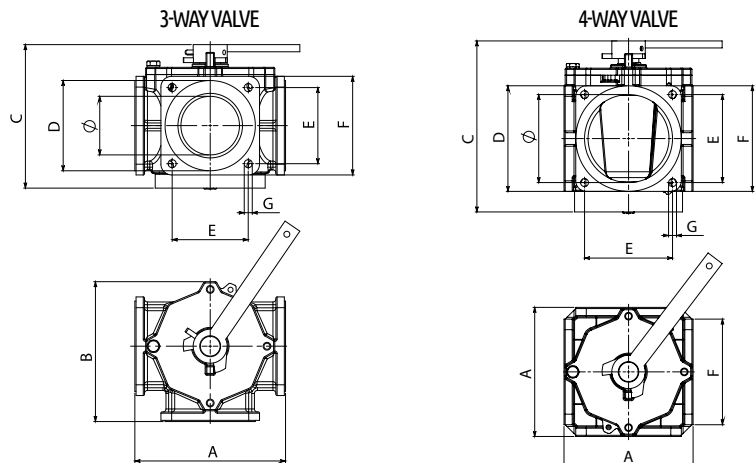
- WORKING CONDITIONS: PRESSURE = 6 BAR (90 PSI)
TEMPERATURE = -15° C / +80° C
- EASY GREASING

CARATTERISTICHE

- CONDIZIONI DI ESERCIZIO : PRESSIONE = 6 BAR (90 PSI)
TEMPERATURA = -15° C / +80° C
- INGRASSAGGIO AGEVOLE

EIGENSCHAFTEN

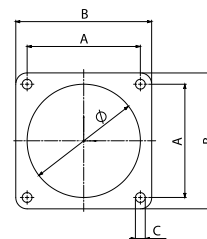
- BETRIEBSBEDINGUNGEN : DRUCK = 6 BAR (90 PSI)
TEMPERATUR = -15° C / +80° C
- BEQUEMES SCHMIEREN



TECHNICAL DATA - OVERALL DIMENSIONS

	CODE	Ø (inch)	A (mm)	B (mm)	C (mm)	D (mm)	E (mm)	F (mm)	G (mm)	HYDRAULIC DIAMETER	Kg	ARTICLE
3-WAY VALVE	6080200031	4"	252	234	240	151	127	165	13	100	30,8	2501/E
3-WAY VALVE	6080200033	6"	305	303	265	180	150	180	13	152	42,8	2501/G
4-WAY VALVE	6080200043	6"	220	-	283	180	150	180	M12	112	36	2503/G
3-WAY VALVE	6080200372	8"	360	360	314	-	180	228	13	200	54	2501/H

COUPLING FLANGE



CODE	DN	Ø	A	B	C	N. HOLES	THICKNESS	Kg	Article
5010401008	3 vie 4"	100	127	165	13	4	10	2,5	2006/E
4010401038	3 - 4 vie 6"	150	150	180	13	4	10	3,7	2006/G



3/4 - WAY VALVE WITH PNEUMATIC REVOLVING CYLINDER

FEATURES

- WORKING CONDITIONS: PRESSURE = 6 BAR (90 PSI)
TEMPERATURE = -15°C / +80°C
- EASY GREASING

NOMINAL VALUES PNEUMATIC REVOLVING HOUSING PLUS:

- PRESSURE RATING MAX 8.4 BAR
- TEMPERATURE RANGE -20°C TO +85°C
- FOR STANDARD VERSION (NBR)



CARATTERISTICHE

- CONDIZIONI DI ESERCIZIO:
PRESSIONE = 6 BAR (90 PSI)
TEMPERATURA = -15°C / +80°C

- INGRASSAGGIO AGEVOLE

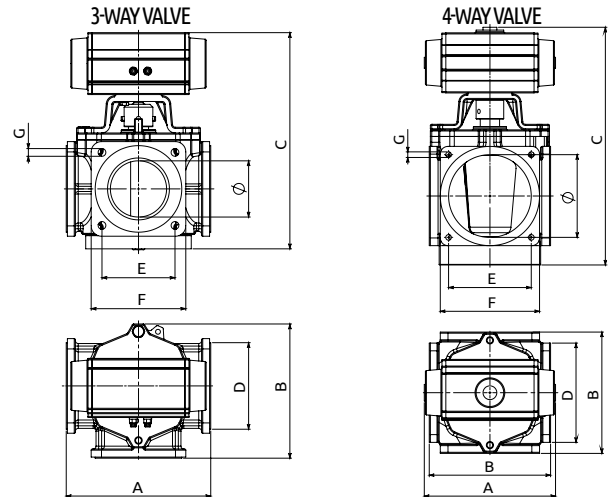
- VALORI NOMINALI CILINDRO ROTATIVO PNEUMATICO PLUS:
- PRESSIONE MASSIMA UTILIZZO 8.4 BAR
 - TEMPERATURA DA -20°C A +85°C
 - PER LA VERSIONE STANDARD (NBR)

EIGENSCHAFTEN

- BETRIEBSBEDINGUNGEN:
DRUCK = 6 BAR (90 PSI)
TEMPERATUR = -15°C / +80°C

- BEQUEMES SCHMIEREN

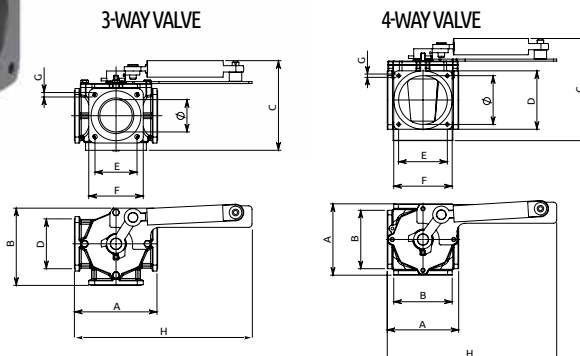
- NENNWERTE DRUCKLUFTBETRIEBENER DREHZYLINDER PLUS:
- MAXIMALER BETRIEBSDRUCK 8.4 BAR
 - TEMPERATUR VON -20°C BIS +85°C
 - FÜR STANDARD AUSFÜHRUNG (NBR)



TECHNICAL DATA - OVERALL DIMENSIONS

	CODE	Ø (inch)	A (mm)	B (mm)	C (mm)	D (mm)	E (mm)	F (mm)	G (mm)	HYDRAULIC DIAMETER	Kg	TORQUE OUTPUT 8 BAR	ARTICLE
3-WAY VALVE	6080200109	4" plus	252	234	379	151	127	165	13	100	30,8	129 Nm	5003/E
3-WAY VALVE	6080200110	6" plus	305	303	404	180	150	180	13	152	48,8	129 Nm	5003/G
4-WAY VALVE	6080200111	6" plus	250	220	422	180	150	180	M12	112	42	129 Nm	5004/G

3/4 - WAY VALVE WITH HYDRAULIC CYLINDER



FEATURES

- WORKING CONDITIONS: PRESSURE = 6 BAR (90 PSI)
TEMPERATURE = -15°C / +80°C
- EASY GREASING
- NOMINAL VALUES HYDRAULIC CYLINDER:
- RANGE OIL TEMPERATURE -30°C + 80°C
- MAX WORKING PRESSURE HYDRAULIC 150 BAR (2175 PSI)

CARATTERISTICHE

- CONDIZIONI DI ESERCIZIO: PRESSIONE = 6 BAR (90 PSI)
TEMPERATURA = -15°C / +80°C
- INGRASSAGGIO AGEVOLE
- VALORI NOMINALI CILINDRO IDRAULICO:
- TEMPERATURA AMMISSIBILE DELL'OLIO -30°C + 80°C
- PRESSIONE MASSIMA CILINDRO IDRAULICO 150 BAR (2175 PSI)

EIGENSCHAFTEN

- BETRIEBSBEDINGUNGEN: DRUCK = 6 BAR (90 PSI)
TEMPERATUR = -15°C / +80°C
- BEQUEMES SCHMIEREN
- NENNWERTE HYDRAULIKZYLINDER:
- ZULÄSSIG ÖLTEMPERATUR -30°C + 80°C
- MAXIMALER DRUCK HYDRAULIKZYLINDER 150 BAR (2175 PSI)

TECHNICAL DATA - OVERALL DIMENSIONS

	CODE	Ø (inch)	A (mm)	B (mm)	C (mm)	D (mm)	E (mm)	F (mm)	G (mm)	H (mm)	HYDRAULIC DIAMETER	Kg	ARTICLE
3-WAY VALVE	6080200166	4"	252	234	272	151	127	165	13	535	100	33	2506/E
3-WAY VALVE	6080200167	6"	305	303	300	180	150	180	13	580	152	45	2506/G
4-WAY VALVE	6080200168	6"	220	180	315	180	150	180	M12	520	112	44,2	2508/G
3-WAY VALVE	6080200395	8"	360	360	345	-	180	228	13	600	200	60	2506/H



Battioni Pagani Pompe S.p.A.

Via Enzo Ferrari, 2
43058 Sorbolo (PR) - Italy

Ph. +39 0521 663203

Fax +39 0521 663206



www.bapag.it
info@bapag.it

