



Catalogo generale ricambi

General spare parts catalogue

Catalogue générale des pièces de rechange

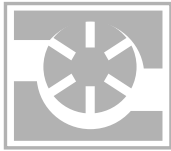
Ersatzteile-katalog

Catálogo de piezas



Battioni®
Pagani

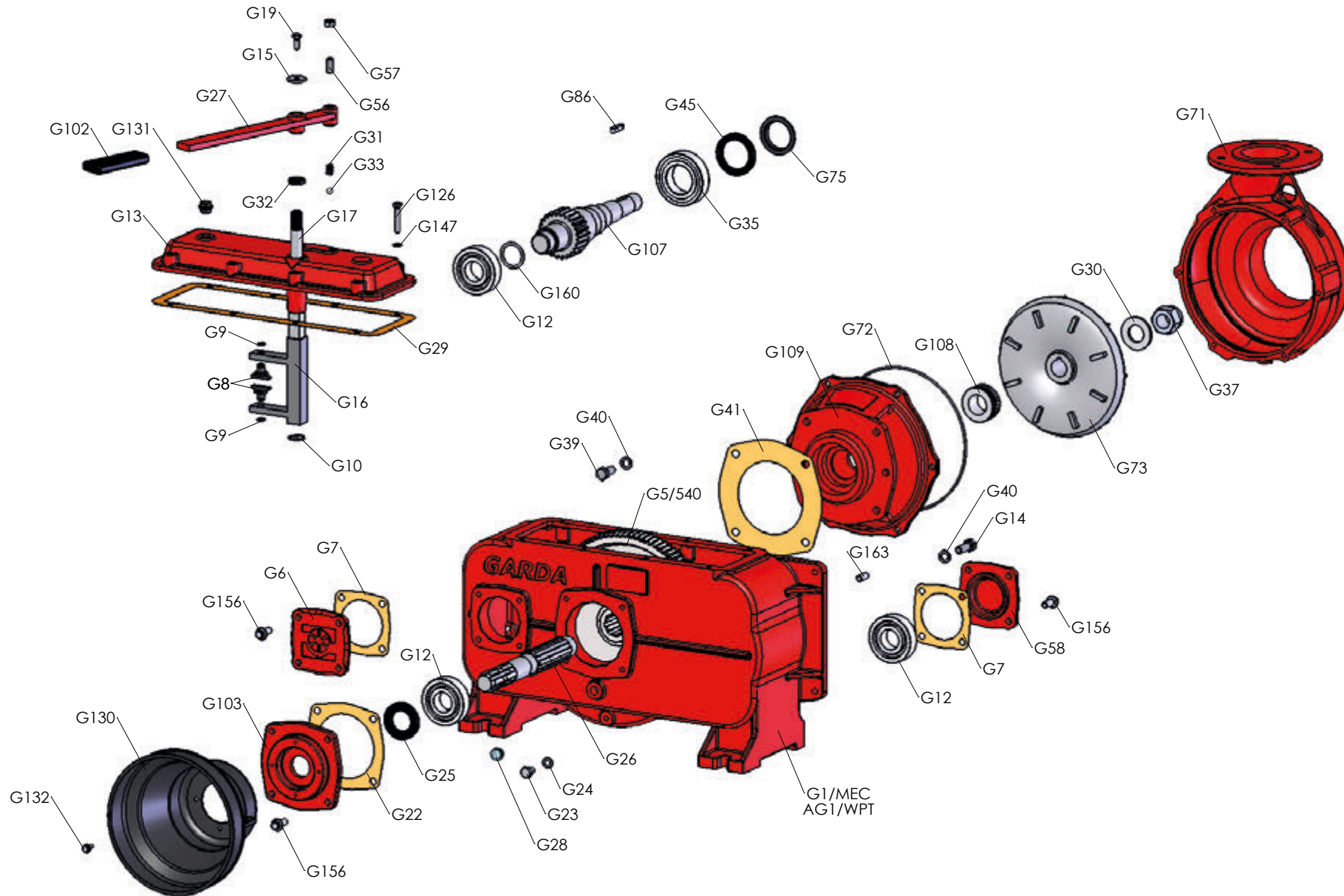
Setting the pace since 1953



Battioni[®]
Pagani

GARDA 3500 (540 rpm) WITH MECHANICAL SEAL

Rel. 0 del 15.01.2018

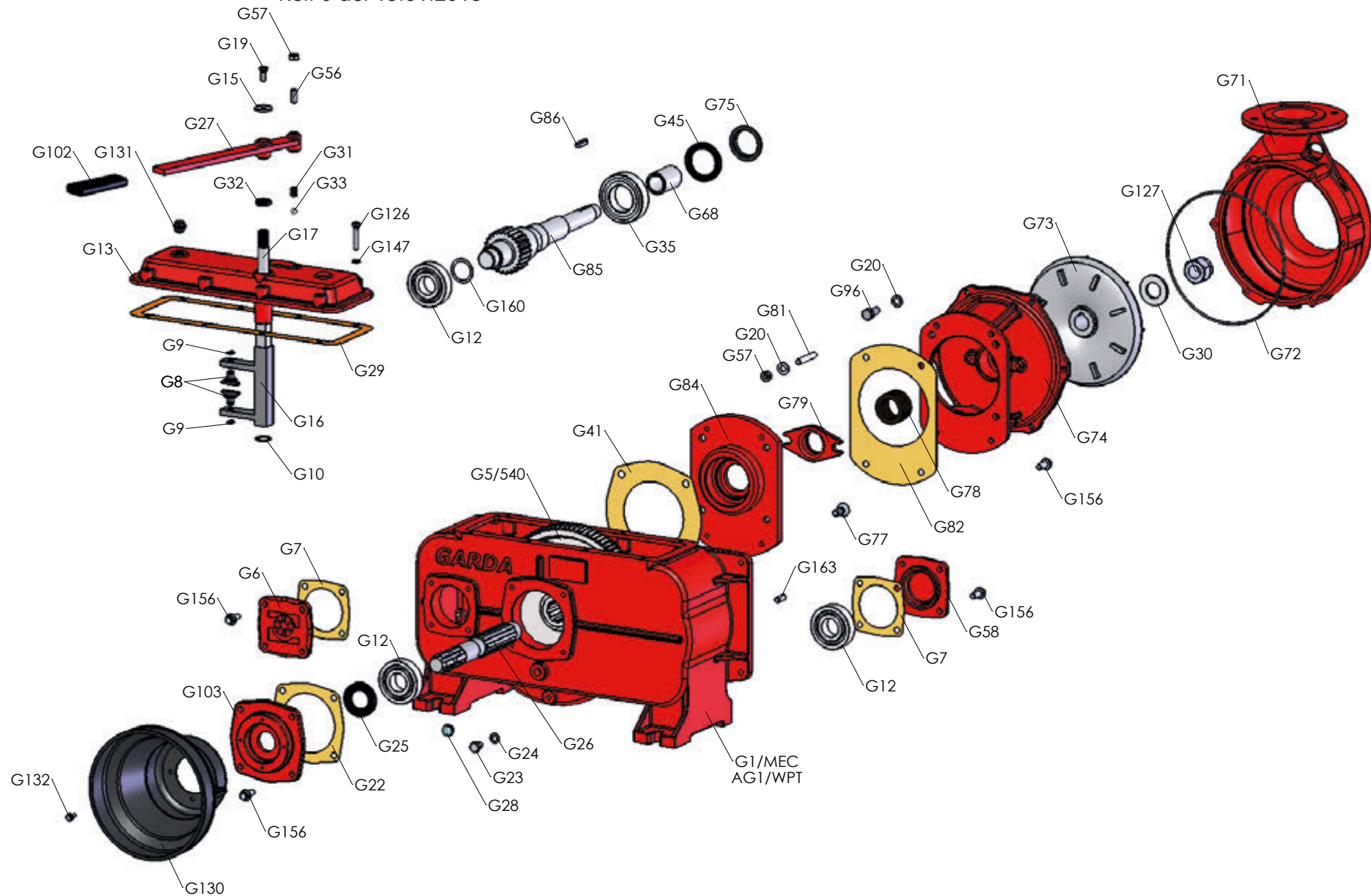




Battioni®
Pagani

GARDA 3500 (540 rpm) WITH PRESHAPED RING

Rel. 0 del 15.01.2018

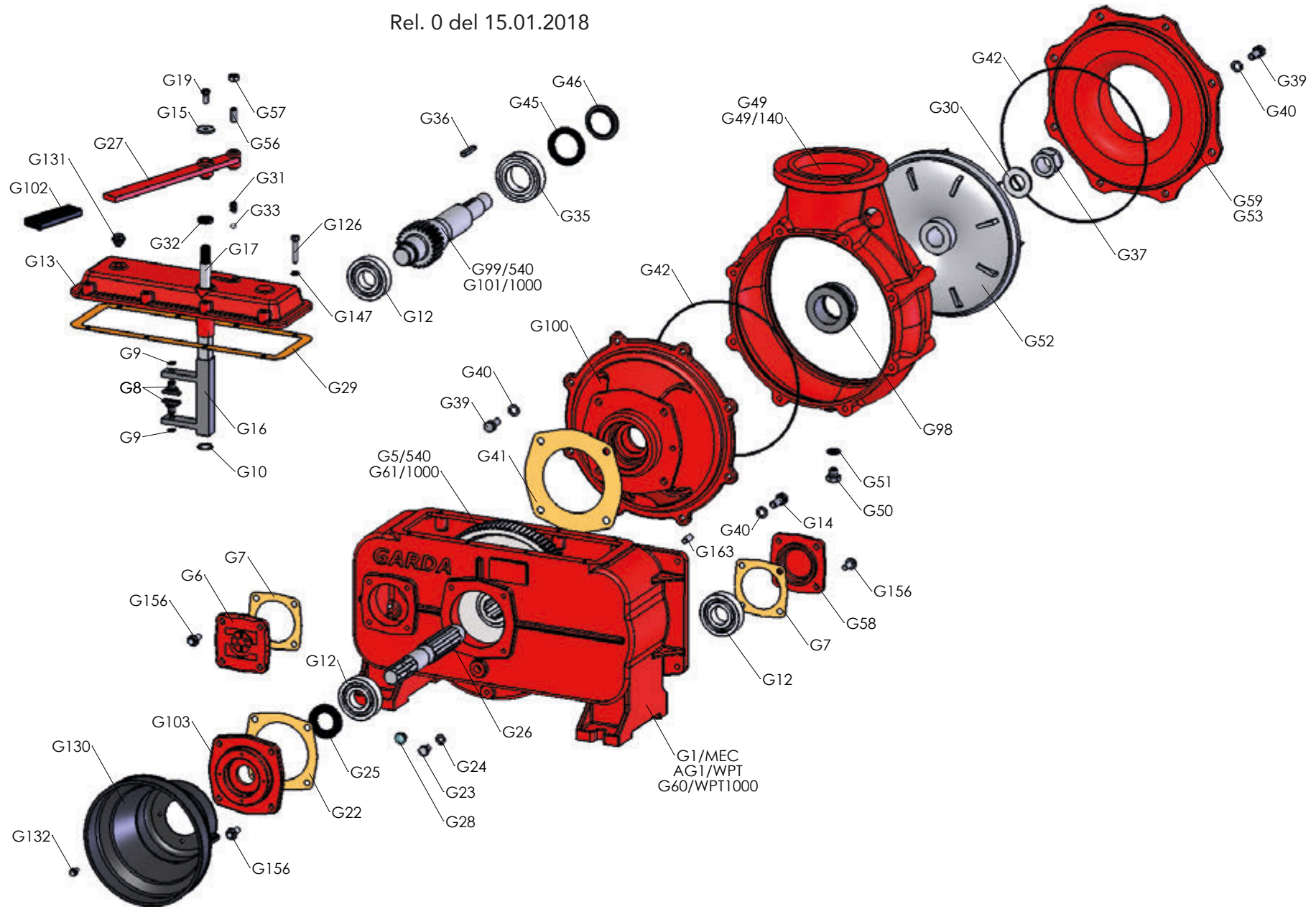


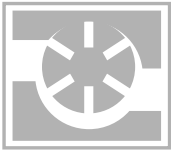


Battioni®
Pagani

GARDA 6500 (540/1000 rpm) WITH MECHANICAL SEAL

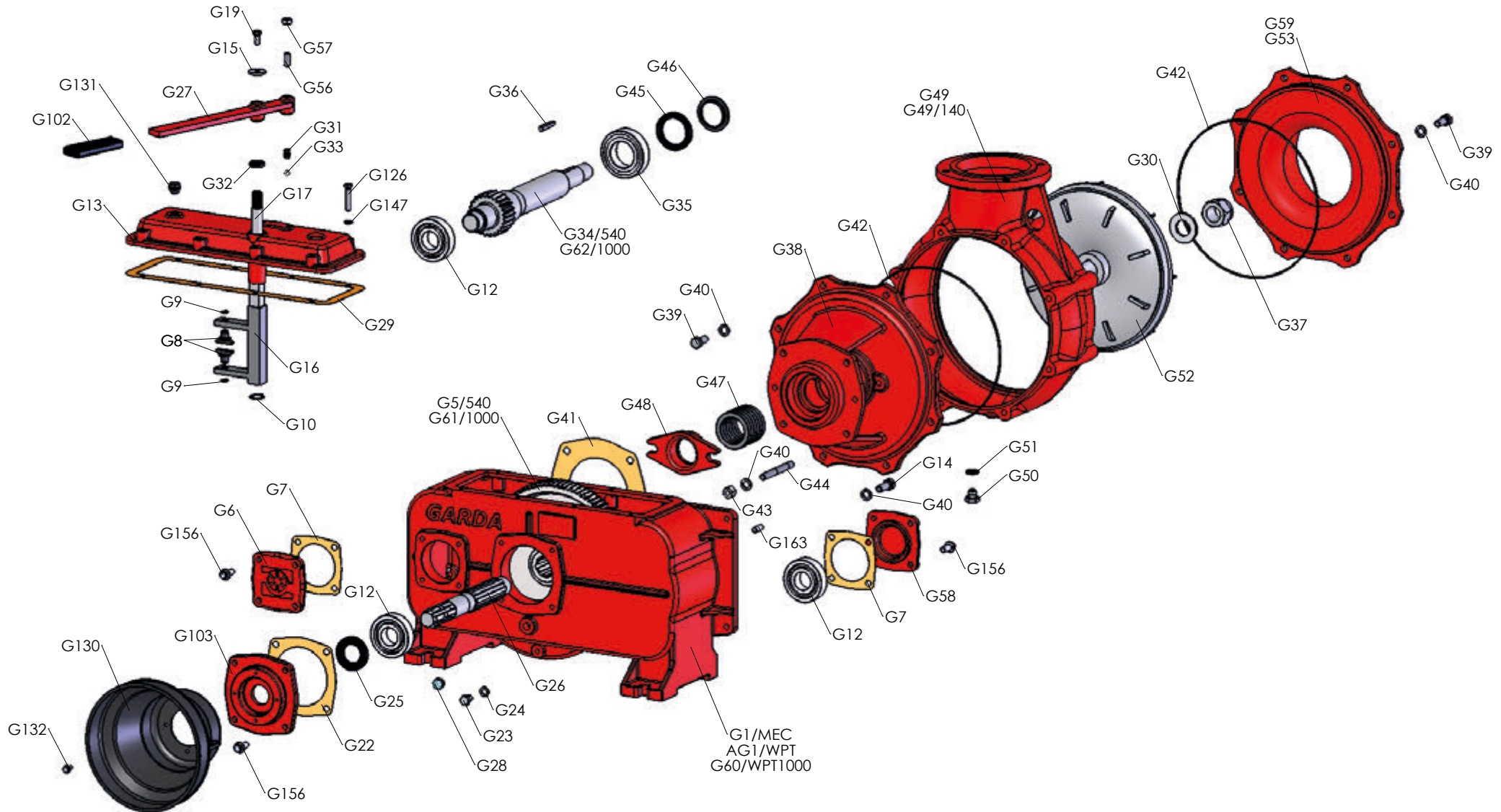
Rel. 0 del 15.01.2018





GARDA 6500 (540/1000 rpm) WITH PRESHAPED RING

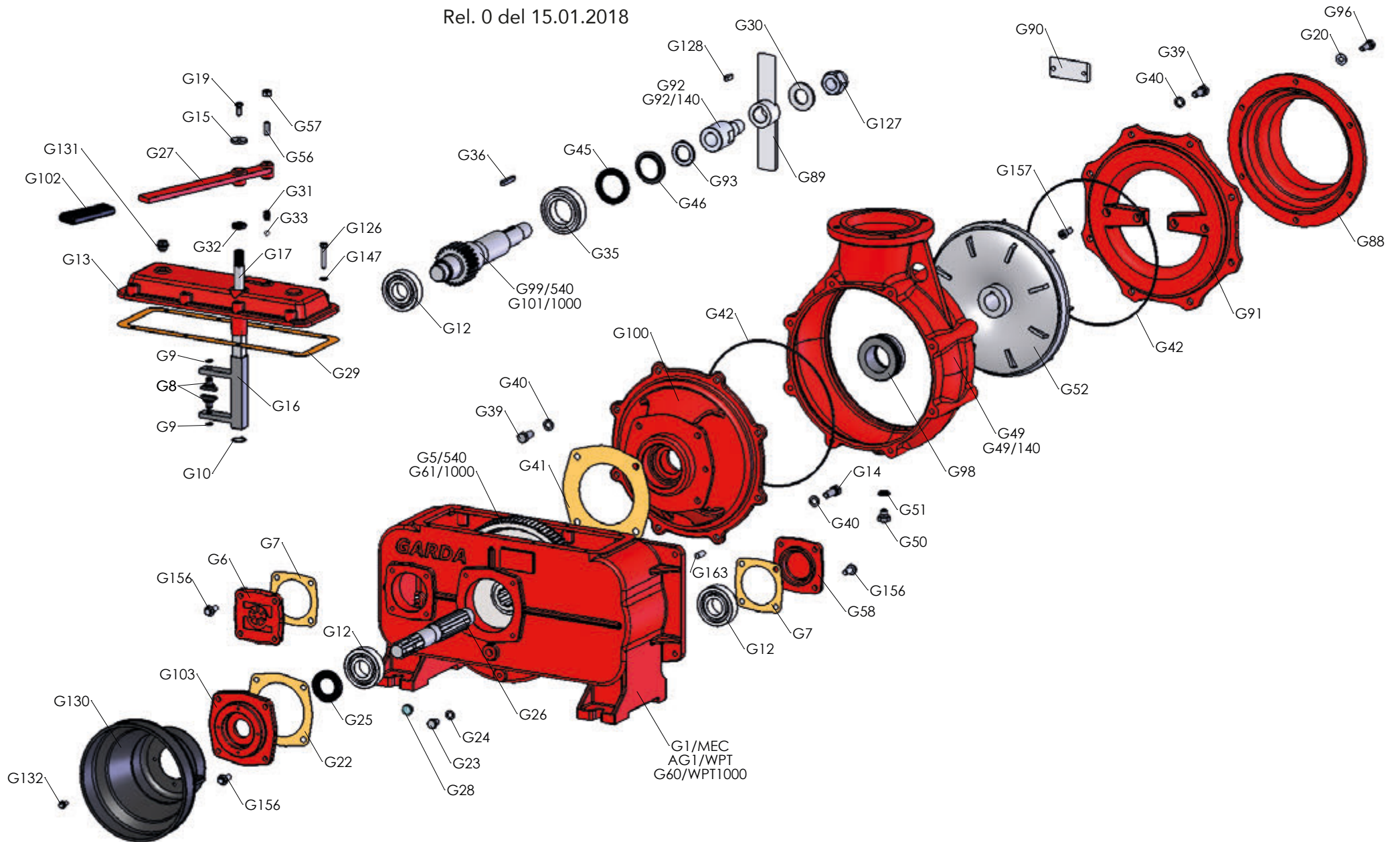
Rel. 0 del 15.01.2018





GARDA 6500 (540/1000 rpm) WITH CUTTING DEVICE

Rel. 0 del 15.01.2018





GARDA

| Articolo (Article) | Codice (Code) | Descrizione | (Description) | Q.ty | Um |
|-----------------------|------------------|--|-------------------------------------|------|-----|
| G1/MEC | 4010301004 | SCATOLA MOLT. GARDA / MEC | GEARBOX - GARDA / MEC | 1 | pcs |
| G1/MEC-TS | 4010301024 | SCATOLA MOLT. GARDA/MEC TS | GEARBOX - GARDA/MEC TS | 1 | pcs |
| AG1/WPT | 4010301005 | SCATOLA MOLT. GARDA / WPT-STAR | GEARBOX - GARDA / WPT-STAR | 1 | pcs |
| G5/540 | 4020807001 | RUOTA CENTRALE GARDA Z97-M3 | CENTRAL WHEEL - Z97-M3 GARDA | 1 | pcs |
| G6 | 4010601020 | COPERCHIO ANTERIORE E POST. GARDA | FRONT AND REAR COVER - GARDA | 1 | pcs |
| G7 | 4030108008 | GUARN. COPERCHIO ANT. E POST. GARDA | FRONT AND BACK COVER GASKET - GARDA | 2 | pcs |
| G8 | 4010007001 | PATTINO CAMBIO GARDA - LEDRA | SHOE FOR GEAR - GARDA - LEDRA | 2 | pcs |
| G9 | 5050507002 | ANELLO SEEGER D 12 E | CIRCLIP - D 12 E | 1 | pcs |
| G10 | 5050507003 | ANELLO SEEGER D 25 E | CIRCLIP - D 25 E | 1 | pcs |
| G12 | 5012107010 | CUSCINETTO A SFERE 6307 | BALL BEARING - 6307 | 3 | pcs |
| G13 | 4010601021 | COPERCHIO SCATOLA MOLTIPLICATORE GARDA | GEARBOX COVER - GARDA | 1 | pcs |
| G14 | 5050107028 | VITE M 12X35 TE | SCREW - M 12X35 TE | 4 | pcs |
| G15 | 5050207009 | RONDELLA TRANCIATA D 8X32 | BLANK WASHER - D 8X32 | 1 | pcs |
| G16 | 4010006001 | FORCELLA CAMBIO GARDA | GEARSHIFT FORK - GARDA | 1 | pcs |
| G17 | 4011907001 | PERNO CAMBIO GARDA | GEAR PIN - GARDA | 1 | pcs |
| G19 | 5050107009 | VITE M 8X20 TE | SCREW - M 8X20 TE | 7 | pcs |
| G20 | 5050207004 | RONDELLA D 10 | SMOOTH WASHER - D 10 | 20 | pcs |
| G22 | 4030108009 | GUARN. COPERCHIO ANT. GARDA | FRONT COVER GASKET - GARDA | 1 | pcs |
| G23 | 5050107018 | VITE M 10X16 TE | SCREW - M 10X16 TE | 1 | pcs |
| G24 | 5050202002 | RONDELLA D 10X16X1,5 ALLUMINIO | ALUMINIUM WASHER - D 10X16X1,5 | 1 | pcs |



GARDA

| <i>Articolo</i> (Article) | <i>Codice</i> (Code) | <i>Descrizione</i> | <i>(Description)</i> | <i>Q.ty</i> | <i>Um</i> |
|------------------------------|-------------------------|--|-----------------------------------|-------------|-----------|
| G25 | 5030300005 | PARAOLIO 35X62X10 | OIL SEAL - 35X62X10 | 1 | pcs |
| G26 | 4020907001 | ALBERO CENTRALE CALETTATO GARDA | SPLINED CENTRAL SHAFT - GARDA | 2 | pcs |
| G27 | 4010801003 | LEVA CAMBIO GARDA | GEAR LEVER - GARDA | 1 | pcs |
| G28 | 5060105004 | TAPPO LIVELLO OLIO D 3/8" GAS | OIL LEVEL PLUG - D 3/8" GAS | 1 | pcs |
| G29 | 4030109007 | GUARN. COPERCHIO SCATOLA GARDA | GEARBOX COVER GASKET - GARDA | 1 | pcs |
| G30 | 5050207010 | RONDELLA TRANCIATA D 30X56X4 | BLANK WASHER - D 30X56 | 1 | pcs |
| G31 | 4012007003 | MOLLA GARDA | SPRING - GARDA | 1 | pcs |
| G32 | 5030300008 | PARAOLIO 19X27X6 | OIL SEAL - 19X27X6 | 1 | pcs |
| G33 | 5010007002 | SFERA IN ACCIAIO D 8.73 | STEEL BALL - D 8.73 | 1 | pcs |
| G34/540 | 4020907002 | ALBERO CENTRIFUGA GARDA 6500 CG | CENTRIFUGAL SHAFT - GARDA 6500 CG | 1 | pcs |
| G35 | 5012107014 | CUSCINETTO A SFERE 4210 A | BALL BEARING - 4210 A | 1 | pcs |
| G36 | 5050707007 | CHIAVETTA 8X7X50 | KEY - 8X7X50 | 1 | pcs |
| G37 | 5050300003 | DADO AUTOBLOCCANTE M 30X2X25 | SELF-LOCKING NUT - M 30X2X25 | 1 | pcs |
| G38 | 4011001001 | SUPPORTO CHIOCCIOLA GARDA 6500 CG | SCROLL SUPPORT - GARDA 6500 CG | 1 | pcs |
| G39 | 5050107027 | VITE M 12X30 TE | SCREW - M 12X30 TE | 16 | pcs |
| G40 | 5050207005 | RONDELLA D 12 | SMOOTH WASHER - D 12 | 24 | pcs |
| G41 | 4030108010 | GUARN. SUPP. CHIOCCIOLA GARDA | SCROLL SUPPORT GASKET - GARDA | 1 | pcs |
| G42 | 5030210001 | ANELLO TENUTA D 291.69X3.53 GARDA 6500 | SEAL RING - D 298X3.53 GARDA 6500 | 2 | pcs |
| G43 | 5050307004 | DADO M 12 | NUT - M 12 | 2 | pcs |
| G44 | 4050412001 | PRIGIONIERO M 12X107 | STUD BOLT - M 12X107 | 2 | pcs |



GARDA

| <i>Articolo</i> (Article) | <i>Codice</i> (Code) | <i>Descrizione</i> | <i>(Description)</i> | <i>Q.ty</i> | <i>Um</i> |
|------------------------------|-------------------------|--|--|-------------|-----------|
| G45 | 5030300009 | PARAOLIO 50X70X10 | OIL SEAL - 50X70X10 | 1 | pcs |
| G46 | 5030210015 | ANELLO IN GOMMA HL 187 GARDA 6500 | RUBBER RING - HL 187 GARDA 6500 | 1 | pcs |
| G47 | 4030111001 | ANELLO PREFORMATO D 50X70X10 GARDA 6500 | PRESHAPED RING - D 50X70X10 GARDA 6500 | 6 | pcs |
| G48 | 4011301001 | PREMICORDA GARDA 6500 | CORDHOLDER - GARDA 6500 | 1 | pcs |
| G49 | 4011101001 | CHIOCCIOLA GARDA 6500 - D 100 | SCROLL - GARDA 6500 | 1 | pcs |
| G49/140 | 4011101004 | CHIOCCIOLA GARDA 6500 - D 140 | SCROLL - GARDA 6500 - D 140 | 1 | pcs |
| G50 | 5050906001 | TAPPO D 1/4" GAS | PLUG - D 1/4" GAS | 1 | pcs |
| G51 | 5050202003 | RONDELLA D 1/4" GAS ALLUMINIO | ALUMINIUM WASHER - D 1/4" GAS | 1 | pcs |
| G52 | 4011219001 | GIRANTE GARDA 6500 | IMPELLER - GARDA 6500 | 1 | pcs |
| G53 | 4010401009 | FLANGIA ESTERNA CHIOCC. 6500 | SCROLL EXTERNAL FLANGE - 6500 | 1 | pcs |
| G56 | 5051007005 | GRANO M 10X25 P.P. | DOWEL - M 10X25 P.P. | 1 | pcs |
| G57 | 5050307003 | DADO M 10 | NUT - M 10 | 3 | pcs |
| G58 | 4010601066 | COPERCHIO POSTERIORE GARDA | BACK COVER - GARDA | 1 | pcs |
| G59 | 4010401010 | FLANGIA ESTERNA CHIOCC. 6500 C/PORTAG. | SCROLL EXTERNAL FLANGE WITH HOSE- 6500 | 1 | pcs |
| G60/WPT1000 | 4010301006 | SCATOLA MOLT. GARDA/WPT 1000RPM | GEARBOX - GARDA/WPT 1000RPM | 1 | pcs |
| G60/WPT-TS | 4010301026 | SCATOLA MOLT. GARDA/WPT TS 1000 | GEARBOX - GARDA/WPT TS 1000 | 1 | pcs |
| G61/1000 | 4020807002 | RUOTA CENTRALE GARDA 1000 RPM V | CENTRAL WHEEL - Z86-M3 GARDA 1000 RPM | 1 | pcs |
| G62/1000 | 4020907003 | ALBERO CENTRIFUGA GARDA 6500 CG 1000 RPM | CENTRIFUGAL SHAFT - GARDA 6500 CG | 1 | pcs |
| G68 | 4011703001 | BOCCOLA D 30X40X60 GARDA 3500 | BUSHING - D 30X40X60 GARDA 3500 | 1 | pcs |
| G71 | 4011101002 | CHIOCCIOLA GARDA 3500 | SCROLL - GARDA 3500 | 1 | pcs |



GARDA

| <i>Articolo</i> (Article) | <i>Codice</i> (Code) | <i>Descrizione</i> | <i>(Description)</i> | <i>Q.ty</i> | <i>Um</i> |
|------------------------------|-------------------------|---|---|-------------|-----------|
| G72 | 5030210006 | ANELLO TENUTA OR 4950 ELBA 3500 | SEAL RING - OR 4950 ELBA 3500 | 1 | pcs |
| G73 | 4011219002 | GIRANTE GARDA 3500 | IMPELLER - GARDA 3500 | 1 | pcs |
| G74 | 4011001007 | SUPPORTO CHIOCCIOLA GARDA 3500 CG | SCROLL SUPPORT - GARDA 3500 CG | 1 | pcs |
| G75 | 5030210017 | ANELLO IN GOMMA HL 150 GARDA 3500 | RUBBER RING - HL 150 GARDA 3500 | 1 | pcs |
| G77 | 5050107045 | VITE M 12X30 TSEI | SCREW - M 12X30 TSEI | 4 | pcs |
| G78 | 4030111002 | ANELLO PREFORMATO D 40X56X8 GARDA 3500 | PRESHAPED RING - D 40X56X8 GARDA 3500 | 4 | pcs |
| G79 | 4011301002 | PREMICORDA GARDA 3500 | CORDHOLDER - GARDA 3500 | 1 | pcs |
| G81 | 4050412002 | PRIGIONIERO M 10X60 | STUD BOLT - M 10X60 | 2 | pcs |
| G82 | 4030108025 | GUARN. SUPP. CHIOCCIOLA GARDA 3500 | SCROLL SUPPORT GASKET - GARDA 3500 | 1 | pcs |
| G84 | 4010401028 | FLANGIA COLLEGAMENTO GARDA 3500 | CONNECTION FLANGE - GARDA 3500 | 1 | pcs |
| G85 | 4020907004 | ALBERO CENTRIFUGA GARDA 3500 CG | CENTRIFUGAL SHAFT - GARDA 3500 CG | 1 | pcs |
| G86 | 5050707006 | CHIAVETTA 8X7X35 | KEY - 8X7X35 | 1 | pcs |
| G88 | 4010401029 | FLANGIA CHIUSURA GARDA CON TRANC. | CLOSING FLANGE - GARDA CUTT. DEV. | 1 | pcs |
| G89 | 4010006005 | LAMA PER TRINCIATORE | BLADE FOR CUTTING DEVICE | 1 | pcs |
| G90 | 4010006006 | CONTROLAMA PER TRINCIATORE | COUNTE-BLADE FOR CUTTING DEVICE | 2 | pcs |
| G91 | 4010401027 | FLANGIA PORTALAMA GARDA CON TRANCIATORE | BLADE-HOLDER FLANGE - GARDA CUTT. DEV. | 1 | pcs |
| G92 | 4010007002 | PROLUNGA TRINCIATORE | EXTENSION FOR CUTTING DEVICE | 1 | pcs |
| G92/140 | 4010007009 | PROLUNGA TRANCIATORE CH. D140 | CUTTING DEVICE EXTENSION - SCROLL D 150 | 1 | pcs |
| G93 | 4011707011 | DISTANZIALE TRINCIATORE GARDA | CUTTING DEVICE SPACER - GARDA | 1 | pcs |
| G96 | 5050107021 | VITE M 10X30 TE | SCREW - M 10X30 TE | 6 | pcs |



GARDA

| <i>Articolo</i> (Article) | <i>Codice</i> (Code) | <i>Descrizione</i> | <i>(Description)</i> | <i>Q.ty</i> | <i>Um</i> |
|------------------------------|-------------------------|--|--|-------------|-----------|
| G98 | 5030000003 | TENUTA MECCANICA CENTRIFUGA GARDA 6500 | MECHANICAL SEAL - GARDA 6500 | 1 | pcs |
| G99/540 | 4020907010 | ALBERO CENTRIFUGA GARDA 6500 TM | CENTRIFUGAL SHAFT - GARDA 6500 TM | 1 | pcs |
| G100 | 4011001033 | SUPPORTO CHIOCCIOLA GARDA 6500 TM | SCROLL SUPPORT - GARDA 6500 TM | 1 | pcs |
| G101/1000 | 4020907013 | ALBERO CENTRIFUGA GARDA 6500 TM 1000 RPM | CENTRIFUGAL SHAFT - GARDA 6500 TM 1000 | 1 | pcs |
| G102 | 5060010003 | POMOLO MANIGLIA GARDA | HANDLE KNOB - GARDA/6500 | 1 | pcs |
| G103 | 4010601122 | COPERCHIO ANTERIORE MOLT. GARDA CE | GEARBOX FRONT COVER - GARDA CE | 1 | pcs |
| G107 | 4020907055 | ALBERO CENTRIFUGA GARDA 3500 TM | CENTRIFUGAL SHAFT - GARDA 3500 TM | 1 | pcs |
| G108 | 5030000006 | TENUTA MECCANICA CENTRIFUGA GARDA 3500 | MECHANICAL SEAL - GARDA 3500 | 1 | pcs |
| G109 | 4011001037 | SUPPORTO CHIOCCIOLA GARDA 3500 TM | SCROLL SUPPORT - GARDA 3500 TM | 1 | pcs |
| G126 | 5050107093 | VITE M 8X45 TE | SCREW - M 8X45 TE | 8 | pcs |
| G127 | 5050300002 | DADO AUTOBLOCCANTE M 27X2X16 | SELF-LOCKING NUT - M 27X2X16 | 1 | pcs |
| G128 | 5050707004 | CHIAVETTA 8X7X25 | KEY - 8X7X25 | 1 | pcs |
| G130 | 4060505018 | PROTEZIONE ALBERO GARDA-LEDRA CE | SHAFT GUARD - GARDA-LEDRA CE | 2 | pcs |
| G132 | 5050107084 | VITE M 6x16 TEF - FL/ZIGR 8.8 - | SCREW - M 6X16 TEF | 4 | pcs |
| G156 | 5050107109 | VITE M 10X25 TEF - FL/ZIGR 8.8 - | SCREW - M 10X25 TEF - FL/ZIGR 8.8 | 12 | pcs |
| G160 | 4011707061 | DISTANZIALE D 35.5X45X1 PER ALB. CENTR. | SPACER - D35,5X45X1 | 1 | pcs |



Battioni®
Pagani

Setting the pace since 1953

| | | | | | |
|------|------------|--------------|-----------|-----------|-------------|
| 0 | 15.01.2018 | 1° EMISSIONE | PROG | R DT | AM |
| REV. | DATA | MOTIVO | PREPARATO | APPROVATO | AUTORIZZATO |



Battioni®
Pagani

Setting the pace since 1953

Via Cav. Enzo Ferrari, 2
43058 Ramoscello di Sorbolo (PR) - Italy

Ph. +39 0521 663203

Fax +39 0521 663206



www.bapag.it
info@bapag.it