

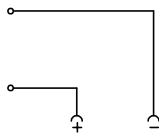
**Technical features**

Standard connectors HA type are used for connection off all DC coils.

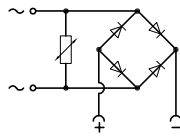
The HR version must be used when coils work in AC at 50 or 60 Hz, this version include a bridge rectifier composed of four diodes and one protection varistor.

The outlet rectified voltage are reduced by 10%; this connector type must be combined with coils A type predisposed for this voltage drop.

HA Type



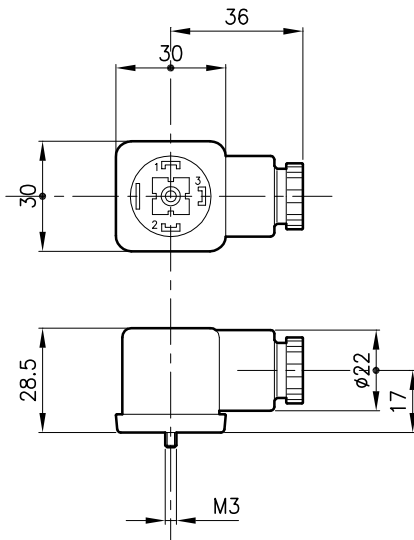
HR Type



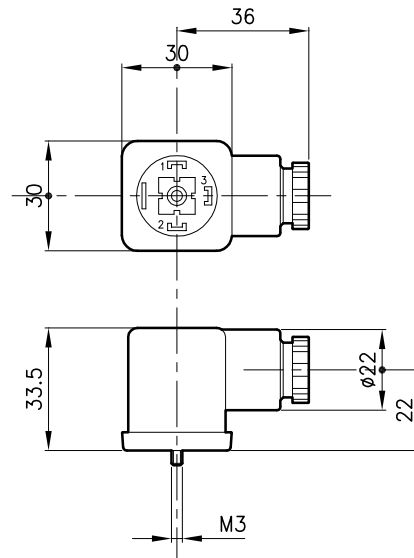
Nominal voltage	Volt	250
Poles number		2 + $\downarrow$
Protection		Nylon glass
Contacts seat		Nylon glass
Contacts nominal current	Ampere	10
Contacts max. current	Ampere	16
Contacts resistance	mOhm	4
Cables max. section	mm <sup>2</sup>	1.5
Terminal cable		PG9
Cable diameter	mm	6 - 8
Protection class DIN 40050		IP 65
Insulation class VDE 0110		C group
Profiled seal in nitrile		

**Dimensions**

**HA Type**



**HR Type**



**Ordering informations**

Type

**HA** = Standard

**HR** = With rectifier

Color

**A** = Grey

**B** = Black

**HA-B**

Codes:

HA-A 90 538 100

HA-B 90 538 102

HR-A 90 538 101

HR-B 90 538 103

NOTE: Black connectors are preferable.