



Technical Data

- Operating pressure up to 42 MPa (420 bar)
- Static pressure testing up to 63 MPa (630 bar).
- Fatigue pressure of 2.000.000 cycles at 0-30 MPa (0-300 bar) per NFPA T 3.10.5.1, R2-2000.
- Operating temperature -20 +120°C.
- Compatibility with hydraulic fluids per ISO 2943.
- Flow rate and pressure drop per ISO 3968 with oil kinematic viscosity 30 cSt at 40°C and density 0,875 kg/dm³.
- Steel head.
- Steel bowl.

Filter Elements

- Wire mesh: 60 micron.
- Synteq[®] synthetic media: 8-11-23 micron, reinforced with wire mesh.
- Collapse resistance 20 MPa (200 bar) per ISO 2941.

Components



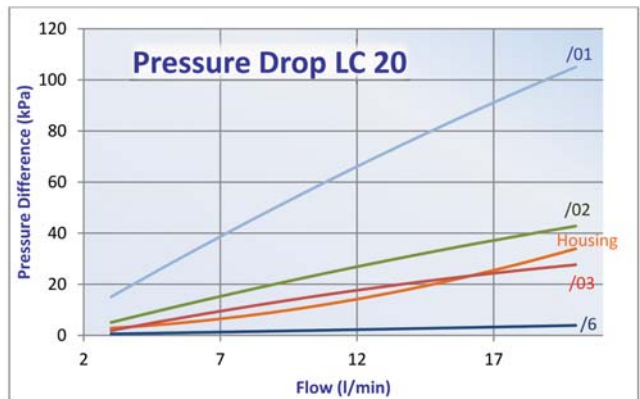
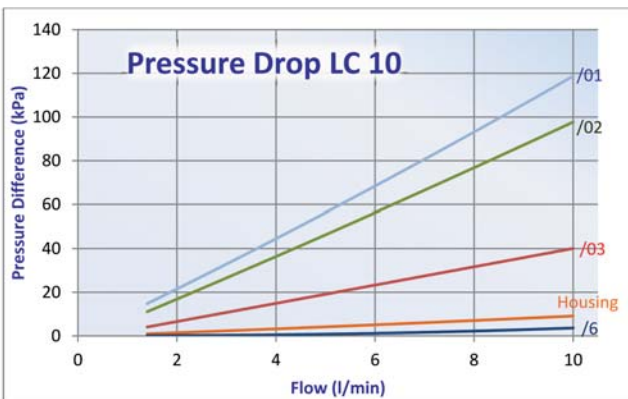
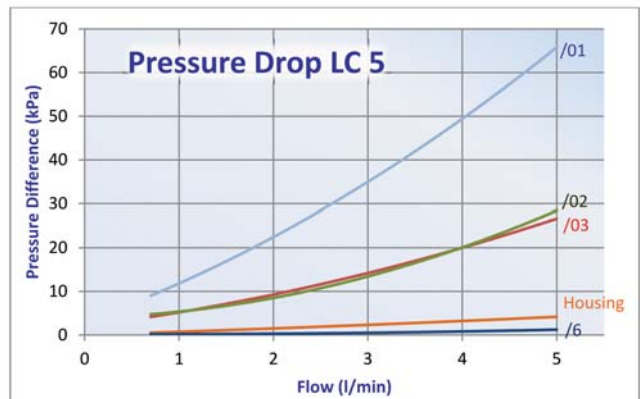
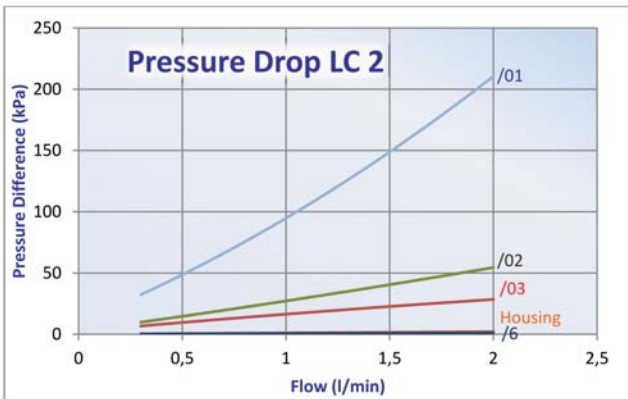
	WIRE MESH MEDIA		SYNTHETIC MEDIA						CARTRIDGE CODE
	/6		/03		/02		/01		
	60µm		$\beta_{25\mu(m)} \geq 1000$		$\beta_{11\mu(m)} \geq 1000$		$\beta_{8\mu(m)} \geq 1000$		
Family	RMF	Sparepart	RMF	Sparepart	RMF	Sparepart	RMF	Sparepart	
LC2	2	P171771	2	P171769	2	P171768	2	P171767	CLC2
LC5	5	P171776	5	P171774	5	P171773	5	P171772	CLC5
LC10	10	P171781	10	P171779	10	P171778	10	P171777	CLC10
LC20	20	P763493	20	P763485	20	P763489	20	P763487	CLC140

RMF = Recommended Maximum Flow in liters/minute with use of standard housing.

Stocked item (check e-commerce for availability)

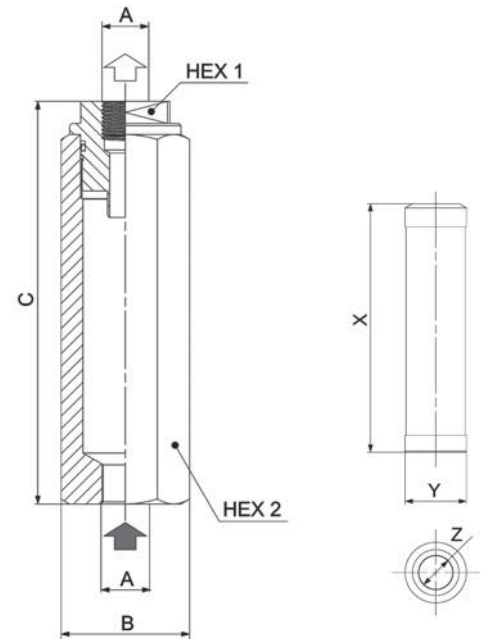
Non highlighted numbers: non-stocked items, request your sales contact for offer and lead-time.

Performance Curves



HIGH PRESSURE FILTERS

Standard Housing without cartridge	HOUSING DIMENSIONS					CARTRIDGE DIMENSIONS		
	A	B	C	Hex 1	Hex 2	X	Y	Z
		mm	mm	mm	mm	mm	mm	mm
P767138	G3/8	42	103	Hex 27	Hex 36	47	21	9,5
P767139	G1/2	58	135	Hex 30	Hex 50	70	28,6	15,8
P767140	G1/2	58	182	Hex 30	Hex 50	117	28,6	15,8
P767141	G1/2	70	181	Hex 33	Hex 33	90	43	22,2



Installation & Service Guidelines



Important

- The bowl thread must be lubricated before spinning on the head to prevent thread damage. Heavyweight gear lube is recommended.
- Oil the O-Rings before assembly.